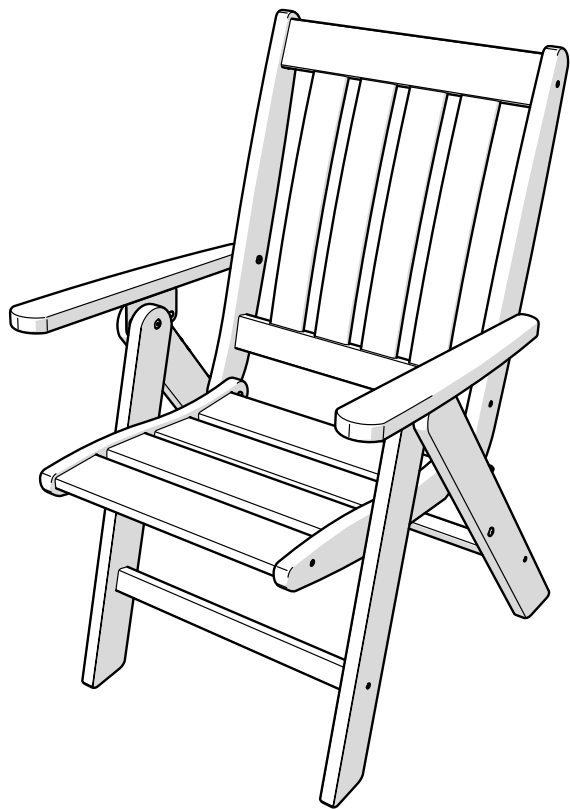


# POLYWOOD

## Assembly Instructions



1. Unfold chair
2. Remove shipping caps from rear brackets

## VND38 Vineyard Folding Chair

polywoodoutdoor.com



### ..... **20-Year Warranty** .....

To view our full warranty, please visit  
[polywoodoutdoor.com/warranty](http://polywoodoutdoor.com/warranty)

Easily register your product using  
one of the methods below:

**Text POLYWOOD to 71403**  
Receive a link to register online

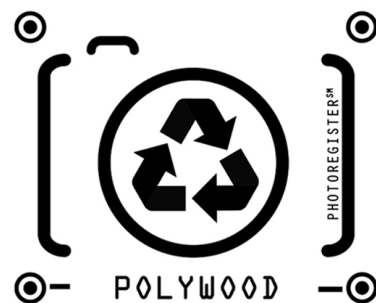
— or —

**Register on our website**  
[register.polywoodoutdoor.com](http://register.polywoodoutdoor.com)

— or —

### **Send a Picture**

Take a photo of the icon below and  
text it to 71403 (US only)





## ..... Having Trouble? .....

If you have questions or concerns regarding assembly instructions or missing parts, please contact us at (877) 457-3284 or email [support@polywoodoutdoor.com](mailto:support@polywoodoutdoor.com)



## ..... Share your space .....

We love to see where our furniture ends up — snap a pic and share it on Instagram or Facebook!  
**#polywood**



## ..... Watch & Learn .....

For assembly videos and more, visit [youtube.com/polywood](https://www.youtube.com/polywood)



## ..... Cleaning Tips .....

Even POLYWOOD gets dirty — here are some ways to help keep it clean:

### For a quick clean:

Simply wipe down with soap and water.

### For a deeper clean:

You'll need:

- » 1/3 bleach and 2/3 water solution
- » clean cloth
- » soft bristle brush

Wipe on solution with your cloth and let it sit on the lumber for a few minutes (this will not affect the color). Then, loosen any dirt and debris that may catch in surface grooves with a soft bristle brush; hose down to rinse.



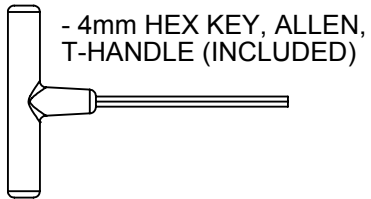
All Weather Furnishings

**Model:**

PL83-T2L1

- (1) Table top
- (2) Leg Assemblies
- (2) Brace
- (1) Hardware pack

**TOOLS NEEDED**

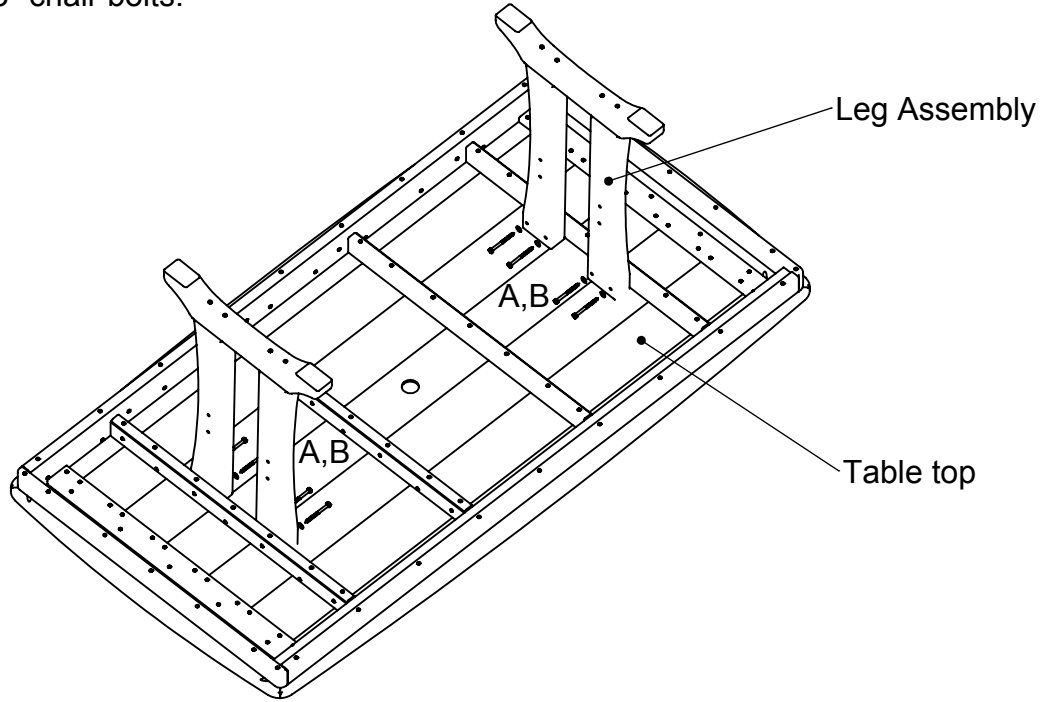


- 4mm HEX KEY, ALLEN, T-HANDLE (INCLUDED)

- 7/16" Wrench (not included)

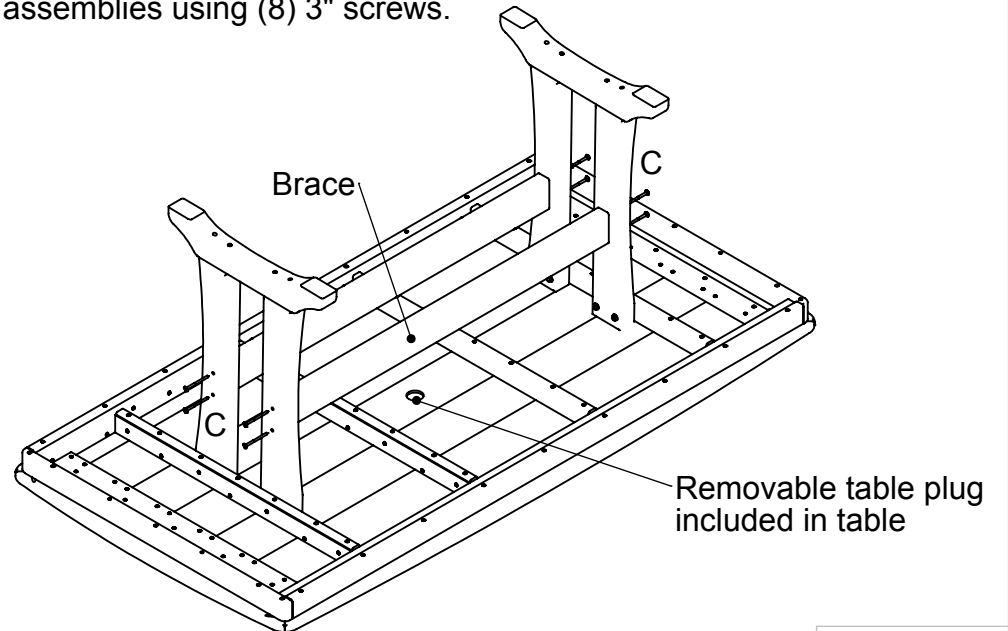
**Step 1**

Attach leg assemblies to table top using (8) 1/4" washers and (8) 3" chair bolts.

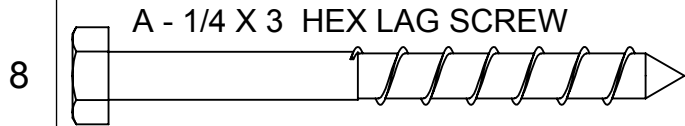


**Step 2**

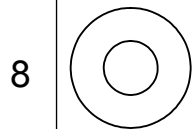
Attach braces to leg assemblies using (8) 3" screws.



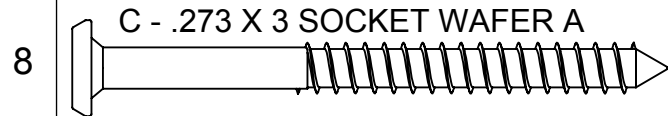
Qty. Description



8



8



8