



POLYWOOD

Assembly Instructions



Having Trouble?

If you have questions or concerns regarding assembly instructions or missing parts, please contact us at (877) 457-3284 or email support@polywoodoutdoor.com



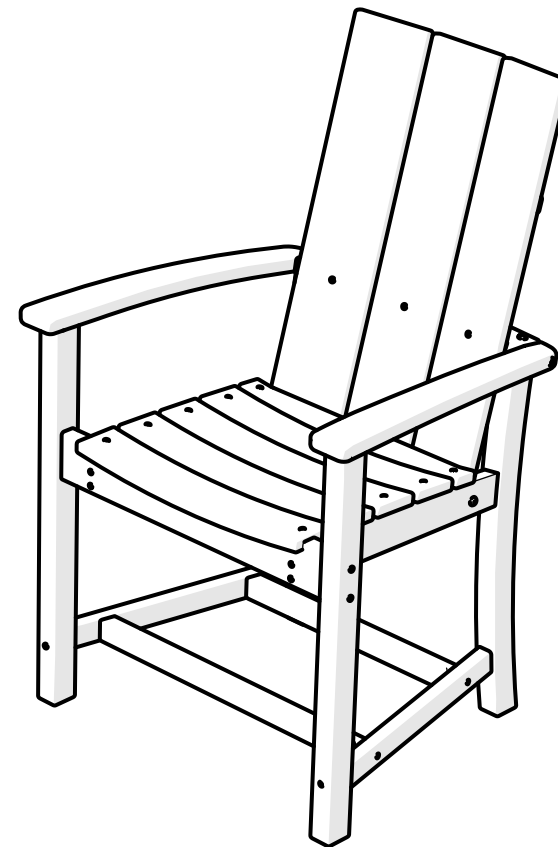
Share your space

We love to see where our furniture ends up — snap a pic and share it on Instagram or Facebook!
[#polywoodoutdoor](https://www.instagram.com/polywoodoutdoor)



Watch & Learn

For assembly videos and more, visit [youtube.com/polywood](https://www.youtube.com/polywood)



MLD200, MLD202
Modern Adirondack
Chair

20-Year Warranty

To view our full warranty, please visit polywoodoutdoor.com/warranty

Easily register your product using one of the methods below:

- A** — Text POLYWOOD to 71403
Receive a link to register online
or
- B** — Register on our website
register.polywoodoutdoor.com
or
- C** — Send a Picture
Take a photo of the icon below and text it to 71403 (US only)



Cleaning Tips

Even POLYWOOD gets dirty — here are some ways to help keep it clean:

For a quick clean:

Simply wipe down with soap and water.

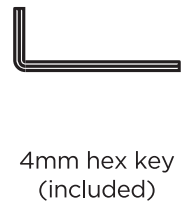
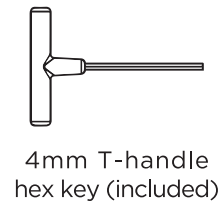
For a deeper clean:

You'll need:

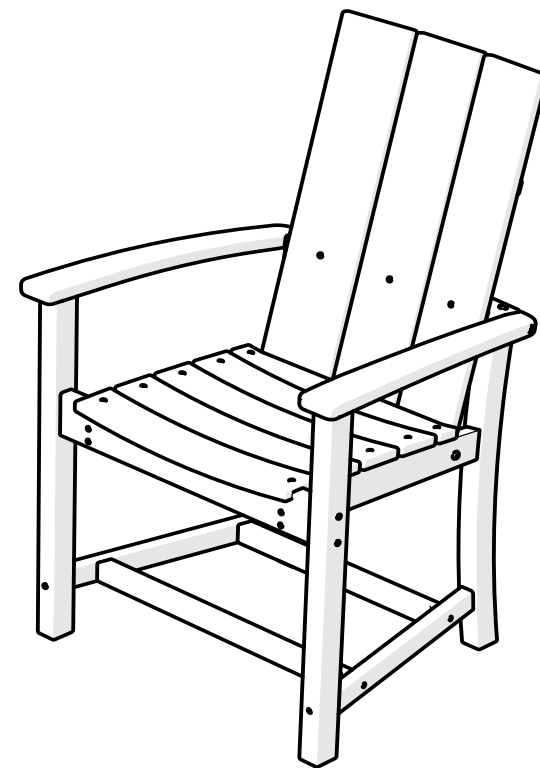
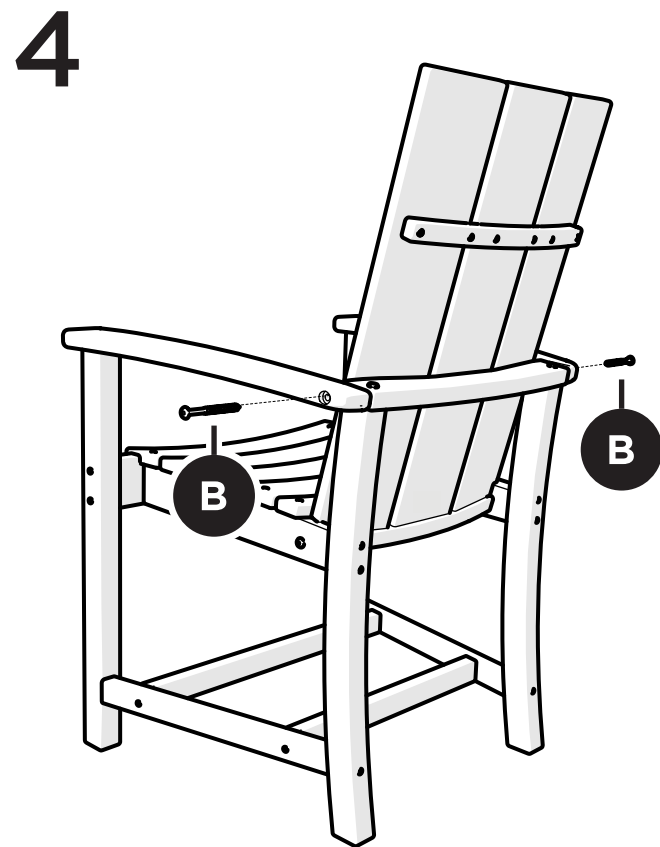
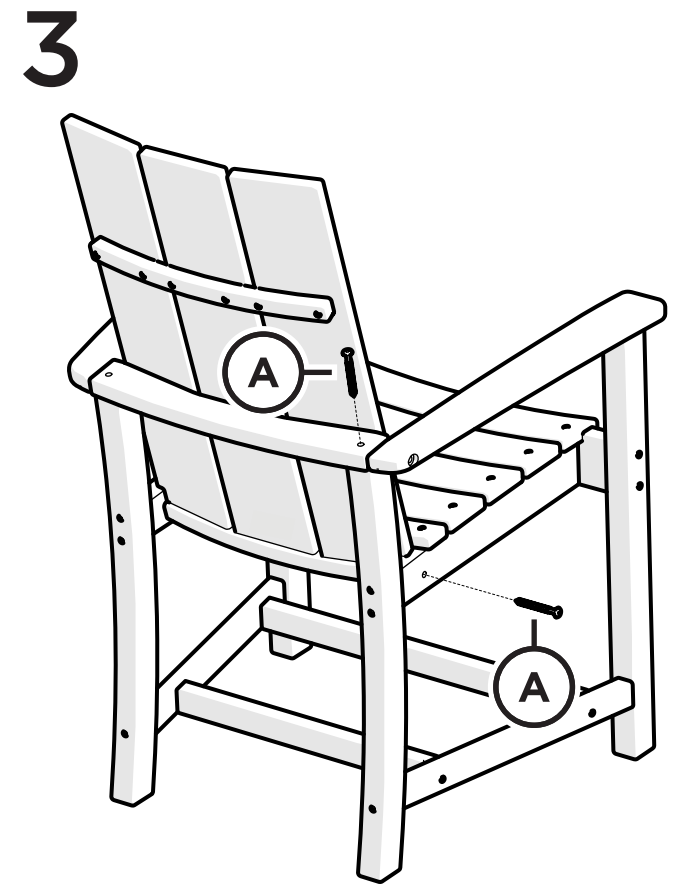
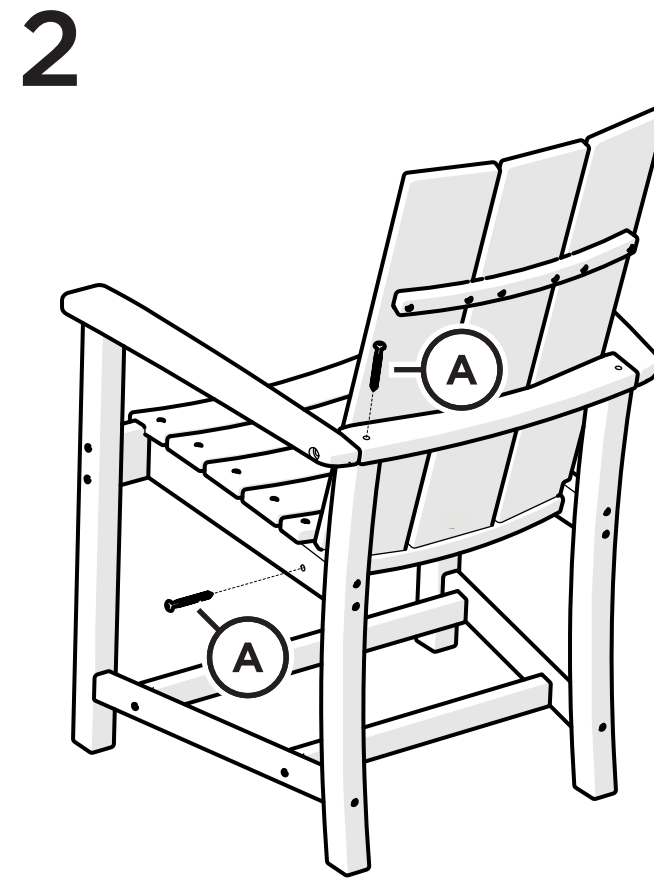
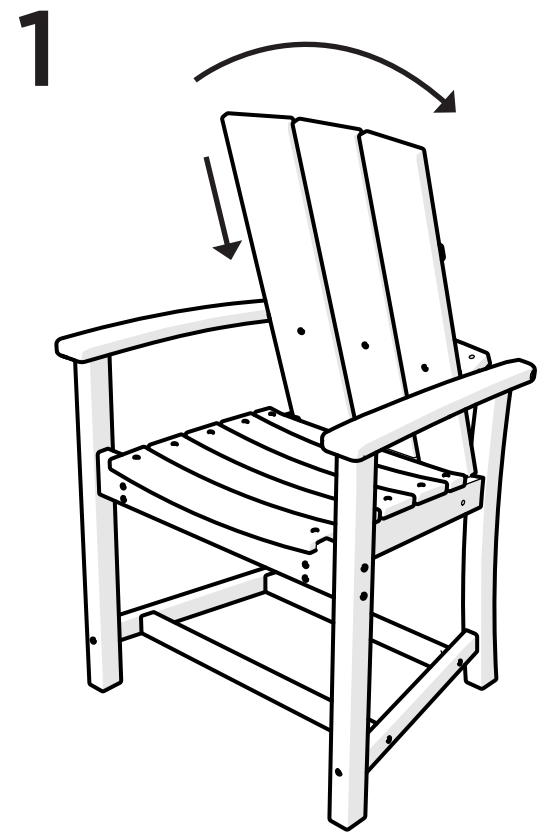
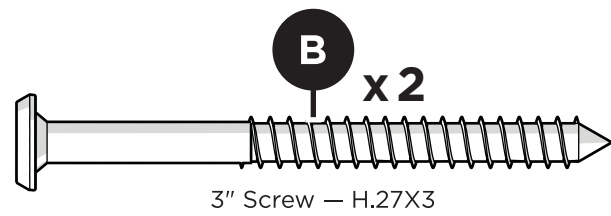
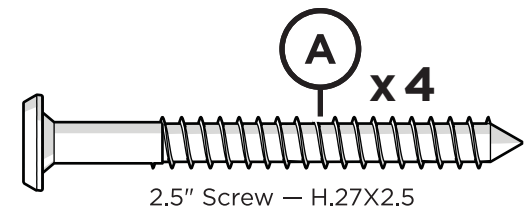
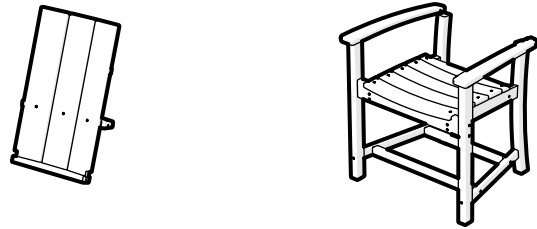
- » 1/3 bleach and 2/3 water solution
- » clean cloth
- » soft bristle brush

Wipe on solution with your cloth and let it sit on the lumber for a few minutes (this will not affect the color). Then, loosen any dirt and debris that may catch in surface grooves with a soft bristle brush; hose down to rinse.

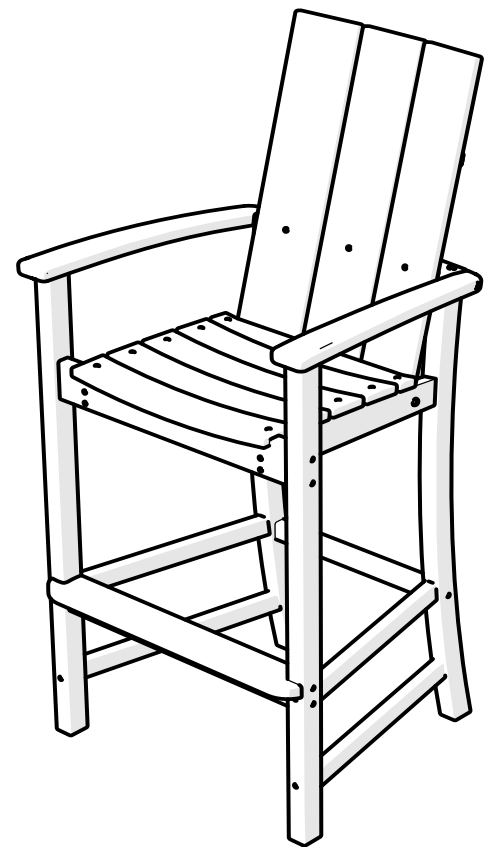
TOOLS



PARTS



MLD200



MLD202

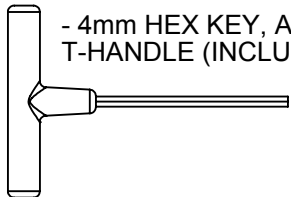


All Weather Furnishings

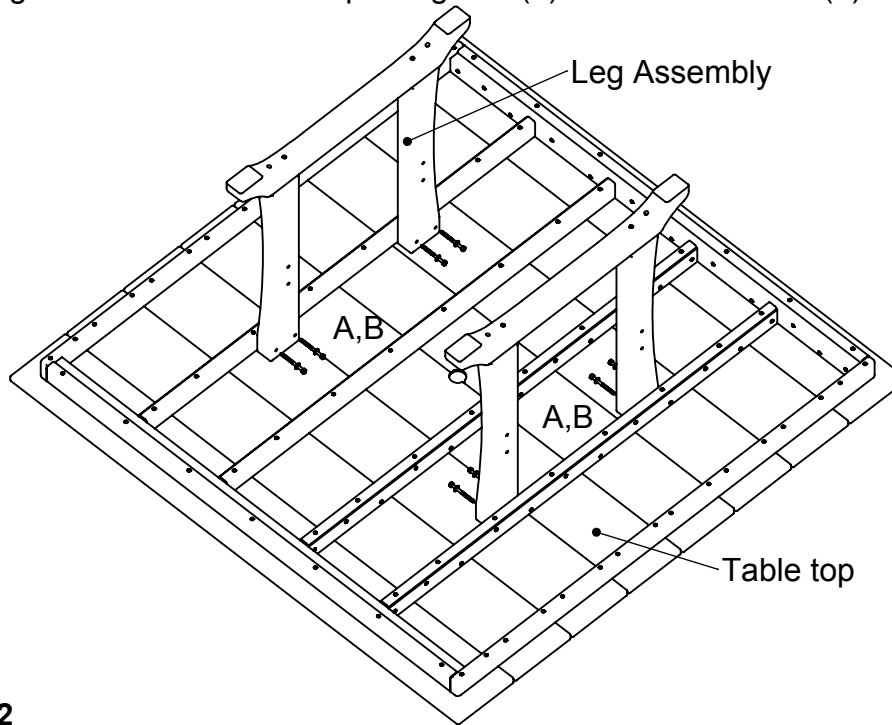
Model:
PL85-T1L1

- (1) Table top
- (2) Leg Assemblies
- (2) Brace
- (1) Hardware pack

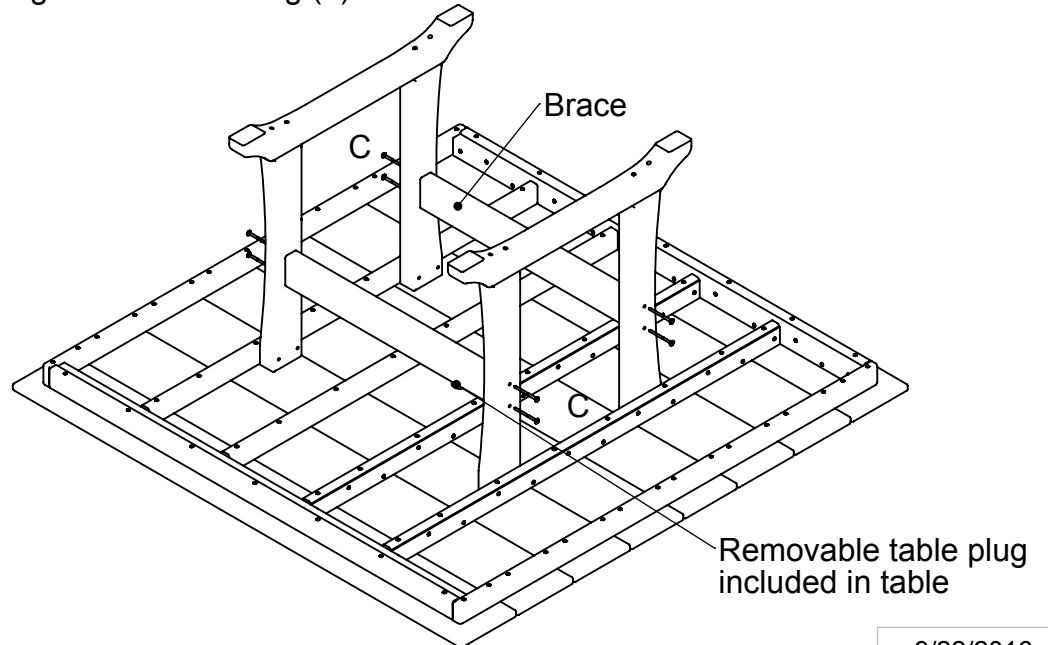
TOOLS NEEDED

-  - 4mm HEX KEY, ALLEN, T-HANDLE (INCLUDED)
- 7/16" Wrench (not included)

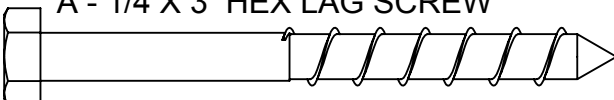
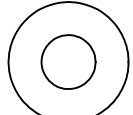
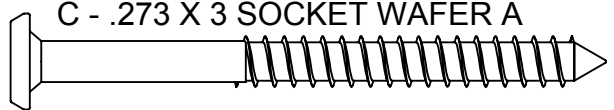
Step 1
Attach leg assemblies to table top using (8) 3" chair bolts and (8) 1/4" washers.



Step 2
Attach braces to leg assemblies using (8) 3" screws.



Qty. Description

- 8  A - 1/4 X 3 HEX LAG SCREW
- 8  B - 1/4 FLAT WASHER
- 8  C - .273 X 3 SOCKET WAFER A

POLYWOOD®

All Weather Furnishings

Join the POLYWOOD® Community

Share in the love of outdoor living, recycling, and more...



POLYWOOD



@POLYWOODINC



youtube.com/polywood



POLY-WORLD
Blog



POLYWOOD



To view our full warranty, please visit the warranty page on our website at polywoodinc.com/resources.

If you have questions or concerns regarding assembly instructions or missing parts, please contact us at (877) 457-3284 or email support@polywoodinc.com