



20-Year Warranty

Great news! Your POLYWOOD warranty is already activated, no need to send anything in. Located on the bottom of each item is a sticker with a serial number. **Please keep this number for your records.**

View our full warranty:
polywood.com/warranty



Cleaning Tips

For a Quick Clean:

Simply wipe down with soap and water.

For a Deep Clean:

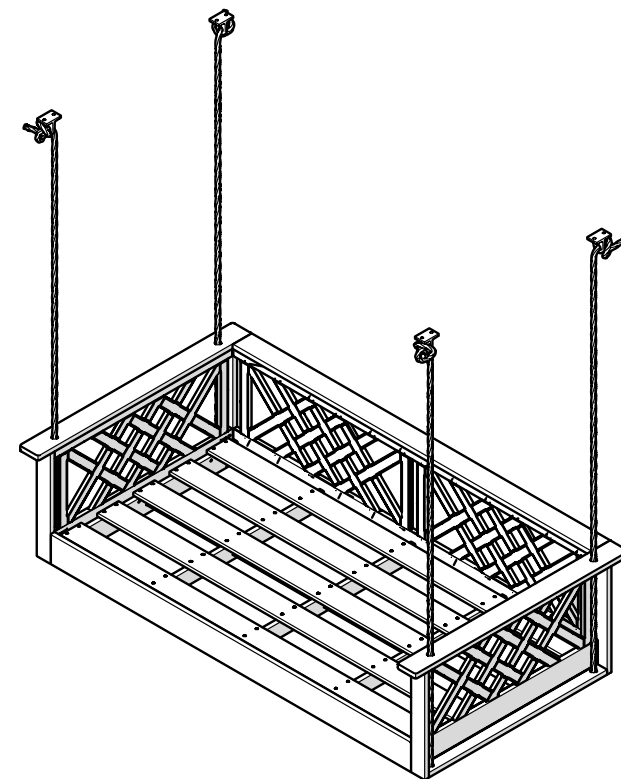
Wipe on 1/3 bleach and 2/3 water solution with a clean cloth and let it sit on the lumber for a few minutes (this will not affect the color). Then, loosen any dirt and debris that may catch in surface grooves with a soft bristle brush; hose down to rinse.

For a High-Power Clean:

Use a pressure power washer (not exceeding 1,500 psi) to spray off dirt and debris. Apply a 1/3 bleach and 2/3 water solution and scrub with a soft bristle brush. Hose down to rinse.

POLYWOOD®

Assembly Instructions



CLWSB3775X

Wovendale Daybed Swing

polywood.com

Thank You

Thank you for choosing POLYWOOD!
We hope your new furniture helps create a gathering place for you and your loved ones to enjoy for many years to come!



Join the POLYWOOD Community

Sign up at:
polywood.com/welcome

You'll be the first to hear about new product launches, giveaways, special offers, and more!



We're Always Here For You

If you have questions regarding assembly instructions, warranty claims, or missing parts, please visit our Help Center at
help.polywood.com



Watch & Learn

For assembly tips and videos visit:
polywood.com/assembly

Share Your Space

We love to see your furniture at home — share a photo or video and tag us for your chance to be featured!

#polywood



@POLYWOOD



pinterest.com/polywood



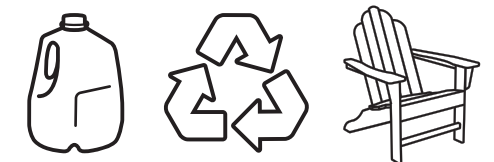
youtube.com/polywood



facebook.com/polywoodoutdoor

Join thousands of fans in our
Outdoor Living Community!

facebook.com/groups/polywoodoutdoorliving



Did You Know?

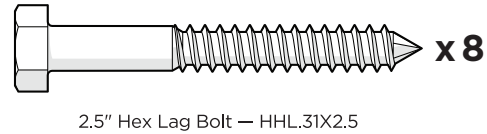
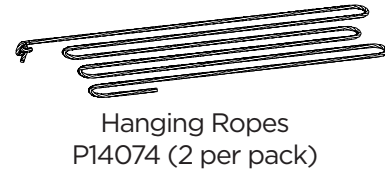
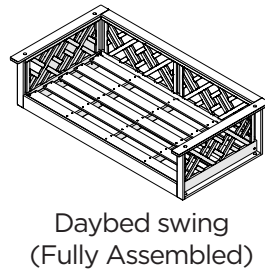
Our long-lasting furniture is made using plastics that could otherwise pollute oceans and overwhelm landfills — and it can also be recycled when the time comes. Better for the planet, better for all.

Learn more about our story:
genuinePOLYWOOD.com

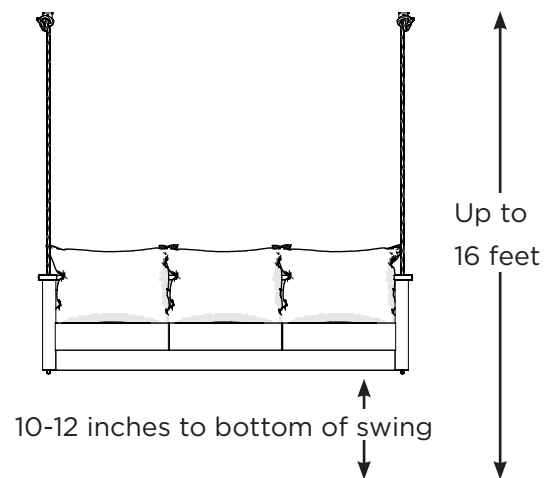
READ BEFORE INSTALLING:

POLYWOOD strongly recommends the daybed swing be installed by a professional. The following instructions document POLYWOOD's recommended installation configuration. Any other installation configuration is assumed at the users own risk, and may void the warranty.

PARTS



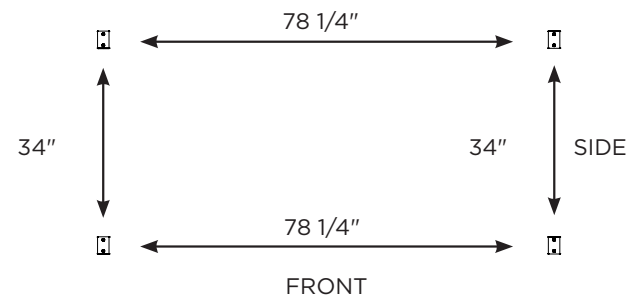
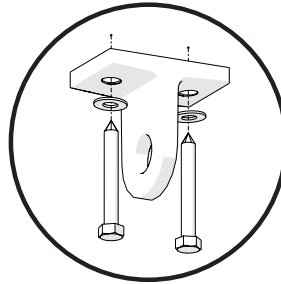
Proper Hanging Dimensions



NOTE: Seat height will lower 1-2 inches as rope and knots stabilize.

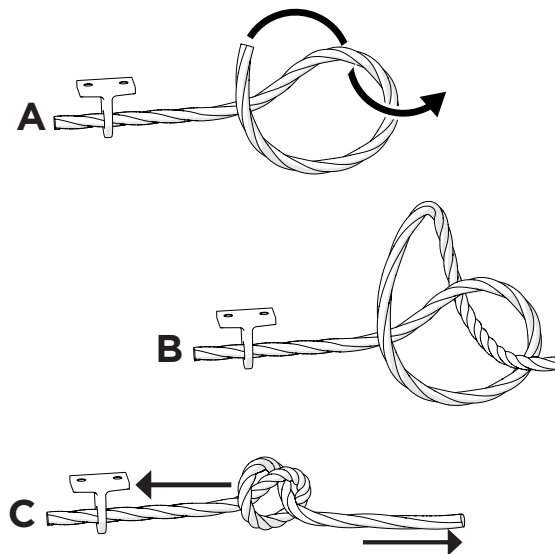
Something missing?
Visit help.polywood.com

- 1 Mount all four brackets to fully load-bearing 2x6 or larger ceiling joists. Have a licensed professional confirm the load bearing capacity of your overhead structure. Use 3/16" pilot holes for 2.5" Hex Lag Bolts when mounting hanging brackets.



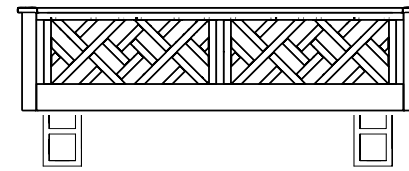
NOTE: Dimensions of the hanging brackets are to the center of the brackets.

- 4 Route unknotted rope ends through back hanging brackets and tie knots as shown. Ensure daybed swing is still level before tying knots.



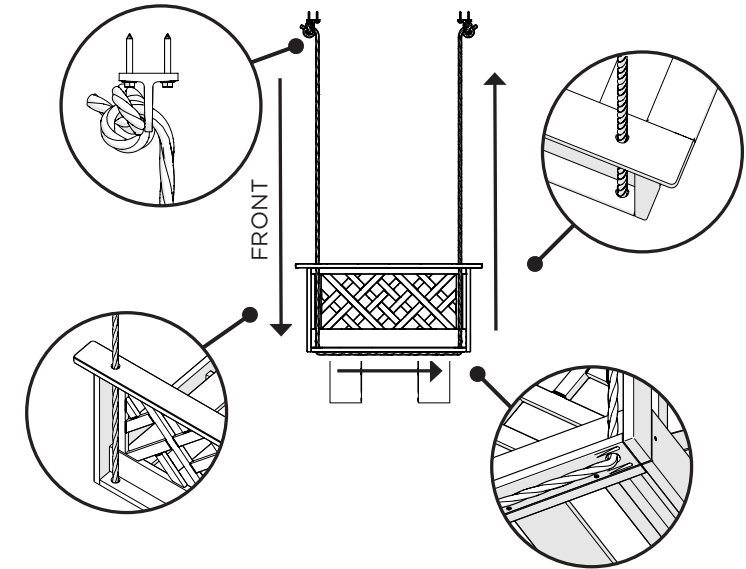
CAUTION: Do not put any weight on daybed swing until after knots are tied.

- 2 Prop up daybed swing under hanging brackets, using cinder blocks or similar supports.



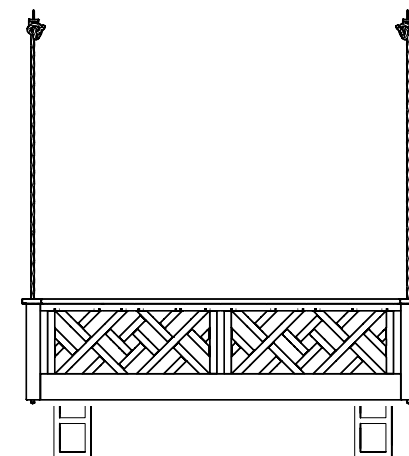
Ensure daybed swing is level throughout the installation process. Do not put the seat and back cushions on the frame until installation is complete.

- 3 Route ropes through front bracket and daybed swing as shown below:



Continue pulling the rope through the arm until the knotted end is stopped by the front overhead hanging brackets.

- 5 Carefully cut off excess rope using a sharp knife or blade. Leave 2"-3" of rope past the knot, to prevent untying (match length of pre-tied knot). It is recommended to heat seal the cut ends to prevent fraying.



Remove supports from under daybed swing and place cushions in the frame.

Before each use of the daybed swing, have a professional verify the following:

- Overhead support structure is capable of adequately supporting the weight of the swing and individual(s) using it.
- Hanging brackets are fully attached to the overhead support structure.
- Ropes are properly secured, not torn or frayed at any point along their length.
- Knots are fully tightened, and that cut ends are heat sealed.
- There are no obstacles around the Daybed Swing that could interfere with the swinging motion.