



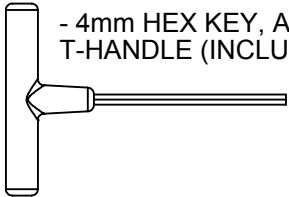
All Weather Furnishings

**Model:**

RT448

- (1) Table top
- (2) Leg Assemblies
- (2) Brace
- (1) Hardware pack

**TOOLS NEEDED**

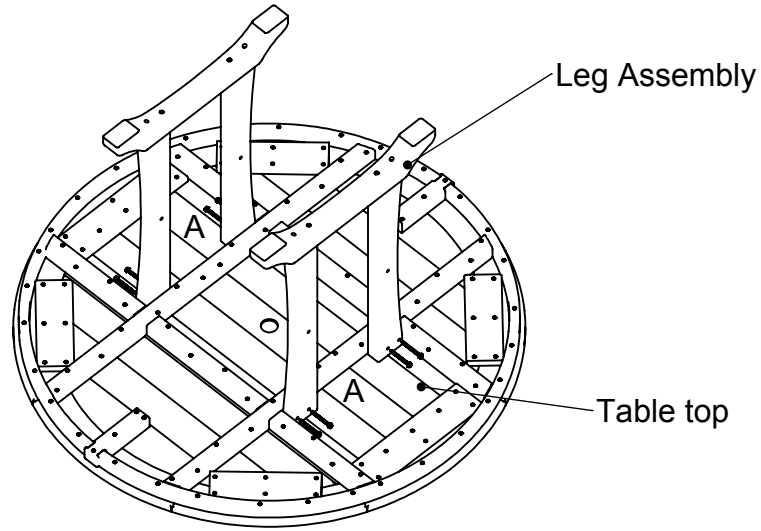


- 4mm HEX KEY, ALLEN, T-HANDLE (INCLUDED)

- 3/8" Wrench (not included)

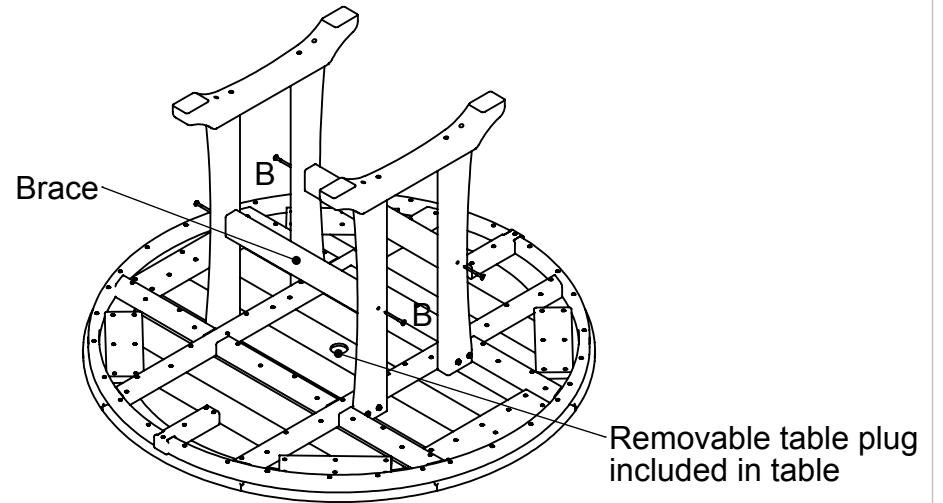
**Step 1**

Attach leg assemblies to table top using (8) 2-1/2" chair bolts.

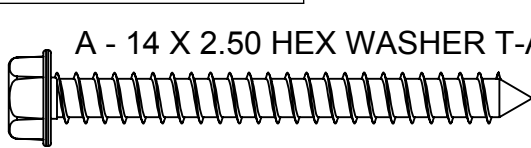


**Step 2**

Attach braces to leg assemblies using (4) 2-1/2" screws.



Qty.	Description
8	A - 14 X 2.50 HEX WASHER T-A ALCHM
4	B - .273 X 2.50 SOCKET WAFER A



# POLYWOOD®

*All Weather Furnishings*

Join the POLYWOOD® Community

*Share in the love of outdoor living, recycling, and more...*



POLYWOOD



@POLYWOODINC



[youtube.com/polywood](https://youtube.com/polywood)



POLY-WORLD  
Blog



POLYWOOD



To view our full warranty, please visit the warranty page on our website at [polywoodinc.com/resources](https://polywoodinc.com/resources).

If you have questions or concerns regarding assembly instructions or missing parts, please contact us at (877) 457-3284 or email [support@polywoodinc.com](mailto:support@polywoodinc.com)



## 20-year warranty

Great news! Your POLYWOOD warranty is already activated, no need to send anything in. Located on the bottom of each item is a sticker with a serial number. Please keep this number for your records.

View our full warranty:  
[polywoodoutdoor.com/warranty](http://polywoodoutdoor.com/warranty)



## Having trouble?

If you have questions or concerns regarding assembly instructions or missing parts, please contact us at [hello@polywoodoutdoor.com](mailto:hello@polywoodoutdoor.com) or (833) 665-6300



## Cleaning tips

### For a Quick Clean:

Simply wipe down with soap and water.

### For a Deep Clean:

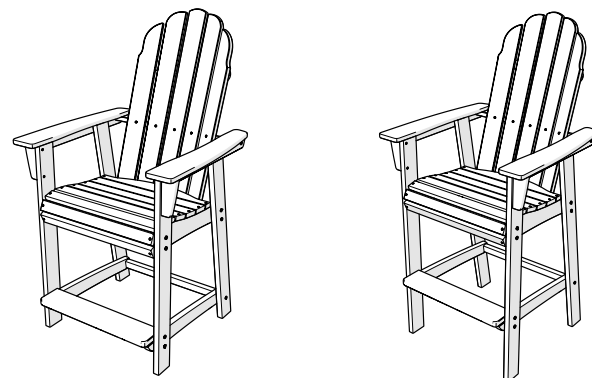
Wipe on 1/3 bleach and 2/3 water solution with a clean cloth and let it sit on the lumber for a few minutes (this will not affect the color). Then, loosen any dirt and debris that may catch in surface grooves with a soft bristle brush; hose down to rinse.

### For a High-Power Clean:

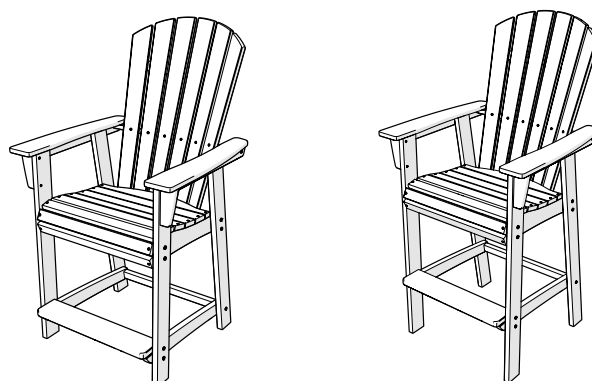
Use a pressure power washer (not exceeding 1,500 psi) to spray off dirt and debris. Apply a 1/3 bleach and 2/3 water solution and scrub with a soft bristle brush. Hose down to rinse.

# POLYWOOD

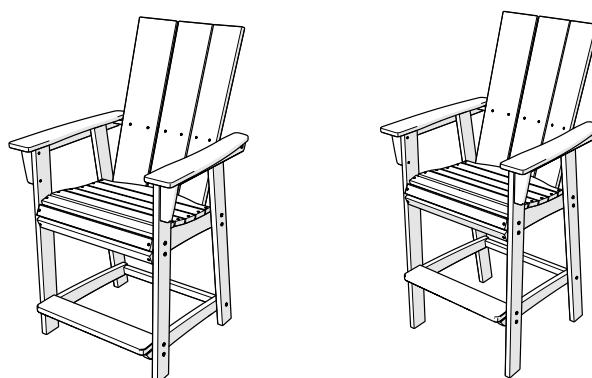
## Assembly Instructions



**ADD601 / ADD602**  
Vineyard Curveback Adirondack  
Counter / Bar Chair



**ADD611 / ADD612**  
Nautical Curveback Adirondack  
Counter / Bar Chair



**ADD621 / ADD622**  
Modern Curveback Adirondack  
Counter / Bar Chair

[polywoodoutdoor.com](http://polywoodoutdoor.com)

# Thank You

Thank you for choosing POLYWOOD!  
We hope our furniture helps create a gathering place for you and your loved ones to enjoy for many years to come!



## Join the POLYWOOD Owner's Community

Sign up at:

[polywoodoutdoor.com/welcome](http://polywoodoutdoor.com/welcome)

As a POLYWOOD Owner, you'll be among the first to access exclusive information about new product launches, special promotions, and giveaways.



## Reach Out

Questions? Please contact us:  
[hello@polywoodoutdoor.com](mailto:hello@polywoodoutdoor.com)  
(833) 665-6300



## Watch & Learn

For assembly tips and videos visit:  
[polywoodoutdoor.com/assembly](http://polywoodoutdoor.com/assembly)

## Share your space

We love to see where our furniture ends up — snap a pic and tag it on Instagram or Facebook for your chance to be featured on our social channels!

**#polywood #rethinkoutdoor**



[facebook.com/polywoodoutdoor](https://facebook.com/polywoodoutdoor)



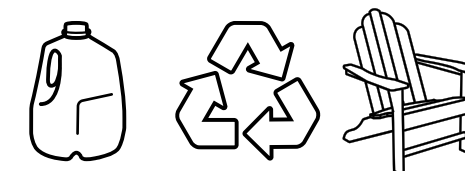
[@POLYWOOD](https://instagram.com/POLYWOOD)



[pinterest.com/polywood](https://pinterest.com/polywood)



[youtube.com/polywood](https://youtube.com/polywood)

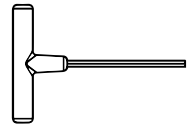


## Did you know?

On average, POLYWOOD recycles 400,000 milk jugs a day!

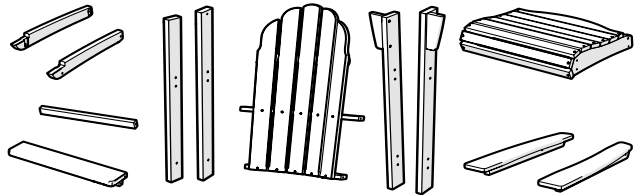
Learn more about our story:  
[genuinePOLYWOOD.com](http://genuinePOLYWOOD.com)

# TOOLS

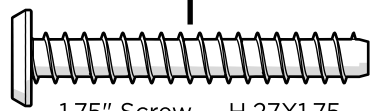


4mm T-handle hex key (included)

# PARTS

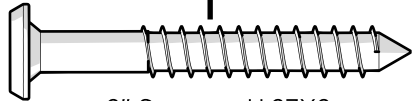


**A** x 12



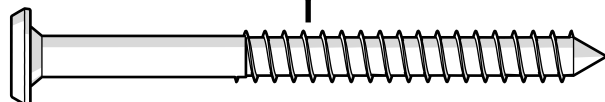
1.75" Screw — H.27X1.75

**B** x 2



2" Screw — H.27X2

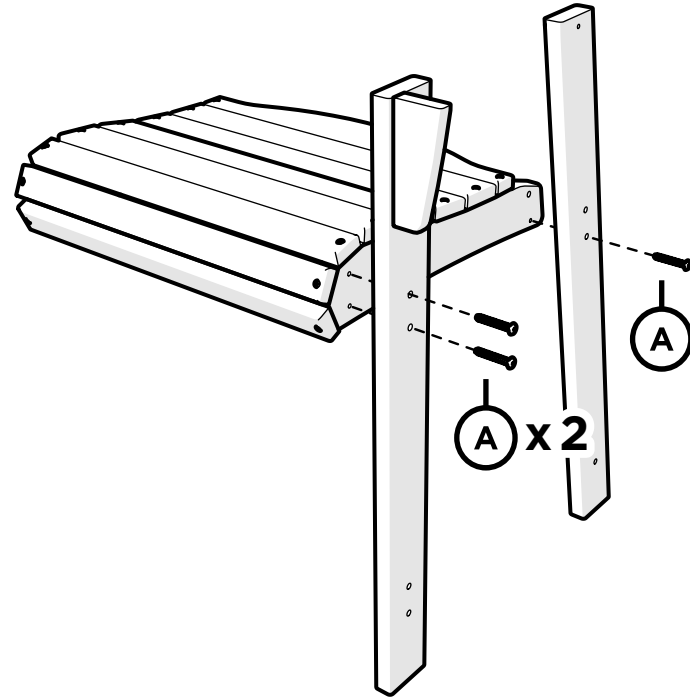
**C** x 6



3" Screw — H.27X3

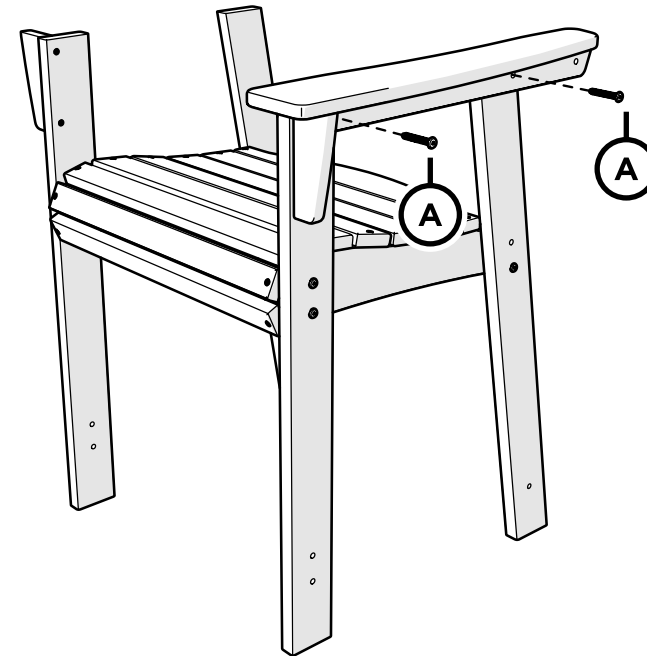
Something missing?  
Call (833) 665-6300

**1**



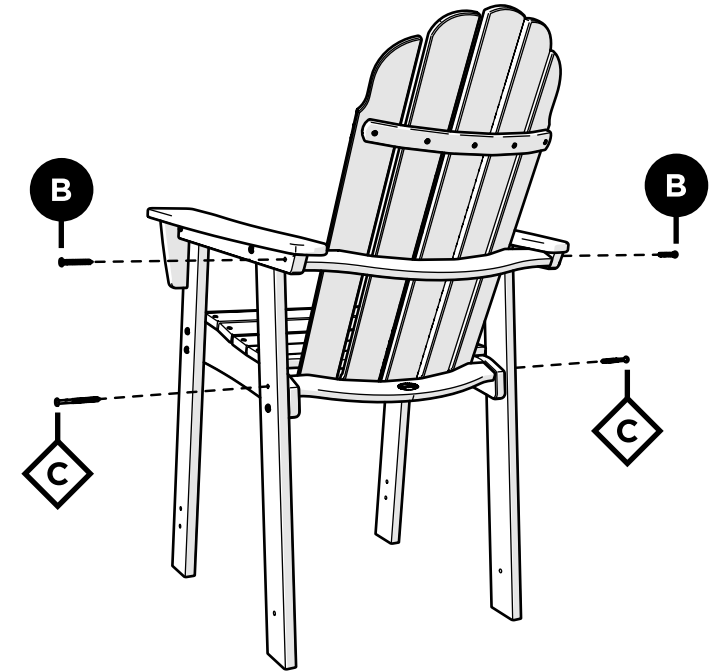
Repeat other side

**2**

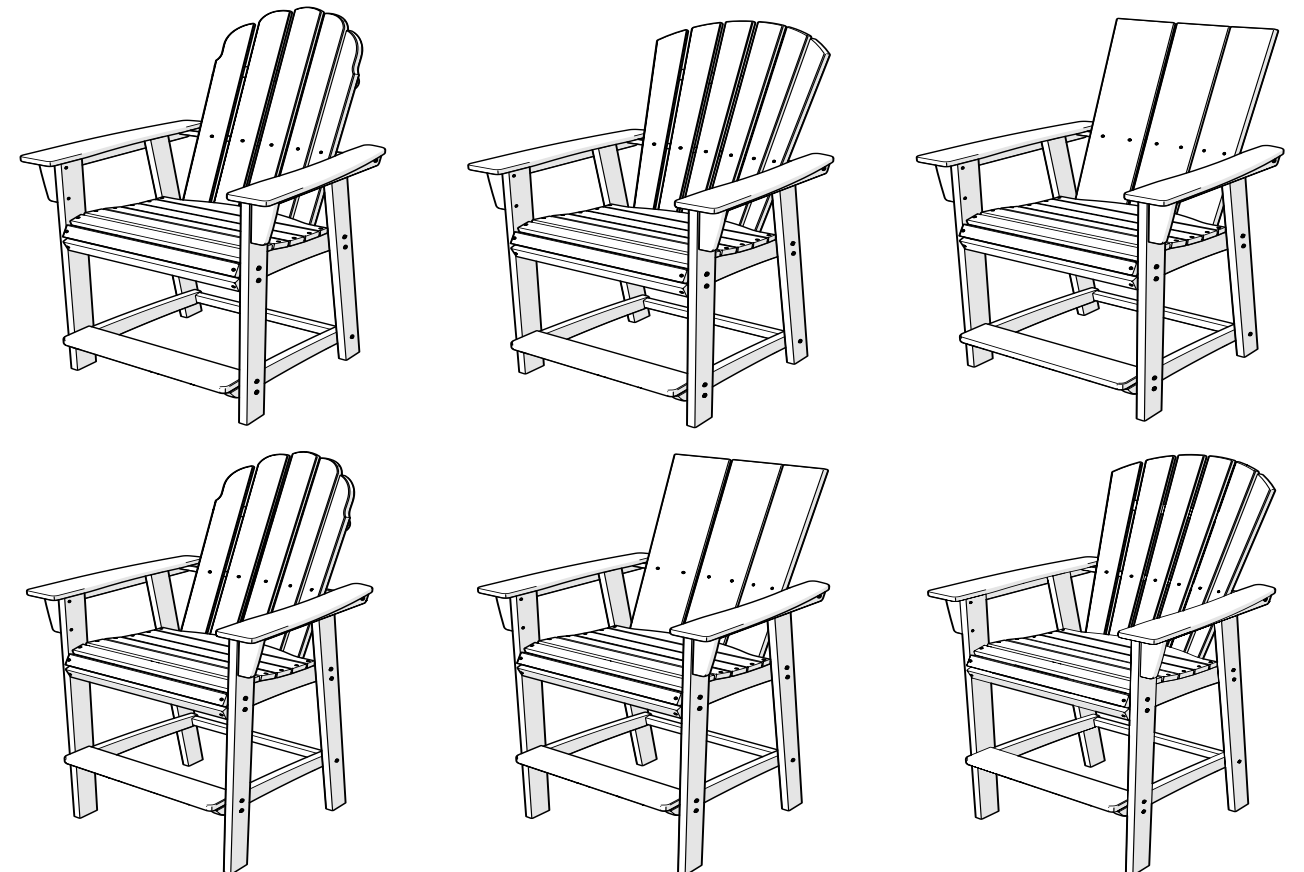
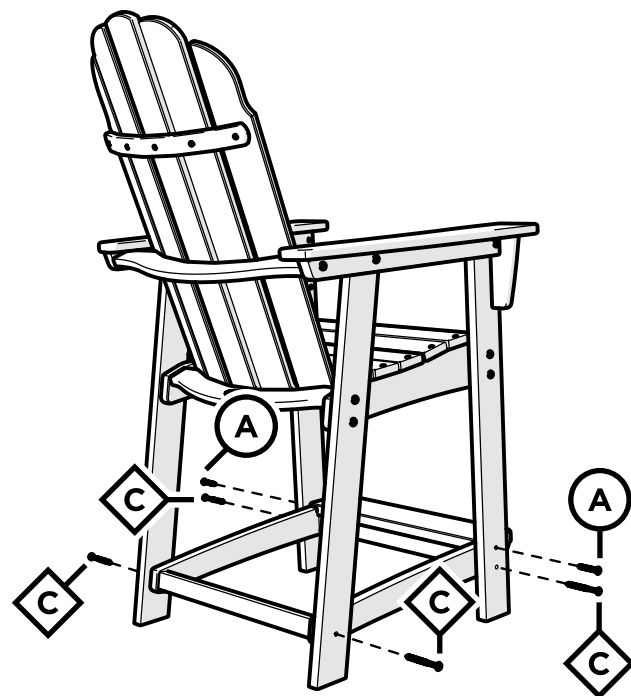


Repeat other side

**3**



**4**



**POLYWOOD**