



## 20-year warranty

Great news! Your POLYWOOD warranty is already activated, no need to send anything in. Located on the bottom of each item is a sticker with a serial number. Please keep this number for your records.

View our full warranty:  
[polywoodoutdoor.com/warranty](http://polywoodoutdoor.com/warranty)



## Having trouble?

If you have questions or concerns regarding assembly instructions or missing parts, please contact us at [hello@polywoodoutdoor.com](mailto:hello@polywoodoutdoor.com) or (833) 665-6300



## Cleaning tips

### For a Quick Clean:

Simply wipe down with soap and water.

### For a Deep Clean:

Wipe on 1/3 bleach and 2/3 water solution with a clean cloth and let it sit on the lumber for a few minutes (this will not affect the color). Then, loosen any dirt and debris that may catch in surface grooves with a soft bristle brush; hose down to rinse.

### For a High-Power Clean:

Use a pressure power washer (not exceeding 1,500 psi) to spray off dirt and debris. Apply a 1/3 bleach and 2/3 water solution and scrub with a soft bristle brush. Hose down to rinse.

# POLYWOOD

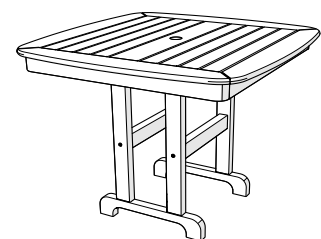
## Assembly Instructions



**FDT37**  
Farmhouse 37"  
Dining Table



**RT236**      **RT248**  
36" Round      48" Round  
Farmhouse      Farmhouse  
Dining Table      Dining Table



**NCT37**      **NCT44**  
Nautical 37"      Nautical 44"  
Dining Table      Dining Table

# Thank You

Thank you for choosing POLYWOOD!  
We hope our furniture helps create a gathering place for you and your loved ones to enjoy for many years to come!



## Join the POLYWOOD Owner's Community

Sign up at:

[polywoodoutdoor.com/welcome](http://polywoodoutdoor.com/welcome)

As a POLYWOOD Owner, you'll be among the first to access exclusive information about new product launches, special promotions, and giveaways.



## Reach Out

Questions? Please contact us:  
[hello@polywoodoutdoor.com](mailto:hello@polywoodoutdoor.com)  
(833) 665-6300



## Watch & Learn

For assembly tips and videos visit:  
[polywoodoutdoor.com/assembly](http://polywoodoutdoor.com/assembly)

## Share your space

We love to see where our furniture ends up — snap a pic and tag it on Instagram or Facebook for your chance to be featured on our social channels!  
**#polywood #rethinkoutdoor**



[facebook.com/polywoodoutdoor](https://facebook.com/polywoodoutdoor)



[@POLYWOOD](https://instagram.com/POLYWOOD)



[pinterest.com/polywood](https://pinterest.com/polywood)



[youtube.com/polywood](https://youtube.com/polywood)



## Did you know?

On average, POLYWOOD recycles 400,000 milk jugs a day!

Learn more about our story:  
[genuinePOLYWOOD.com](http://genuinePOLYWOOD.com)

## TOOLS



4mm T-handle  
hex key (included)

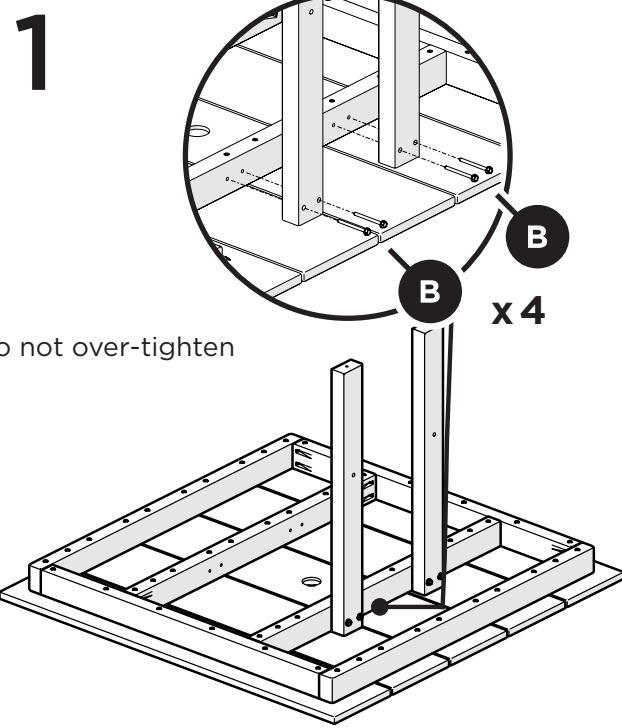


3/8" wrench  
(not included)

## PARTS

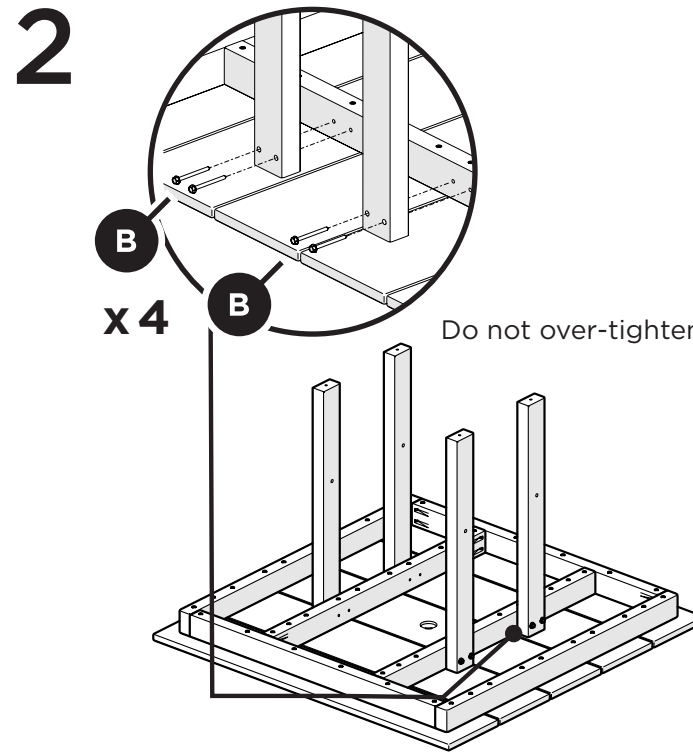


Separate box

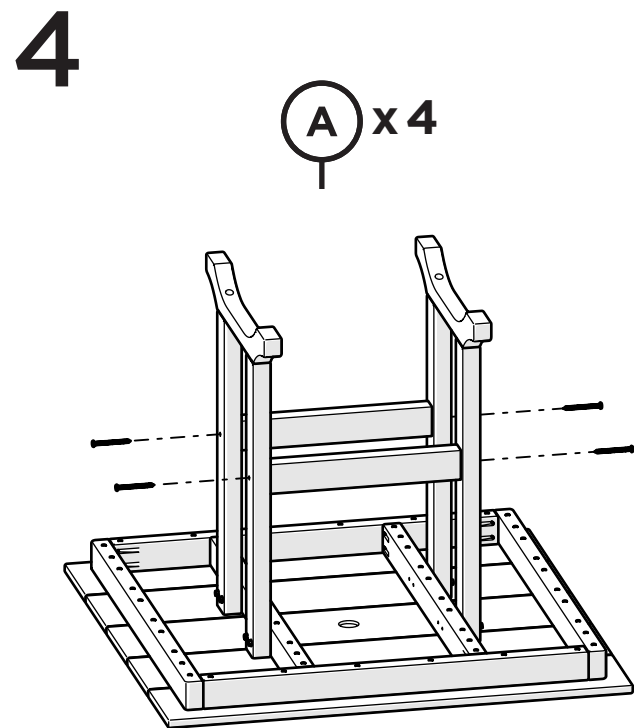


Do not over-tighten

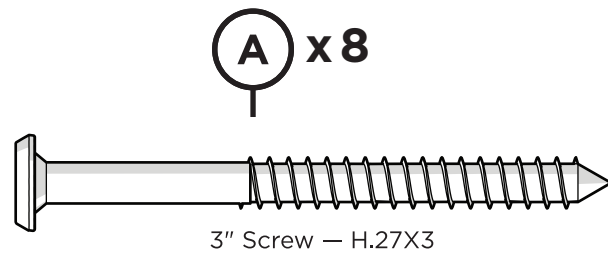
FDT37 shown for parts and assembly



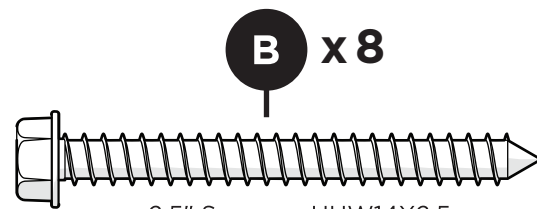
Do not over-tighten



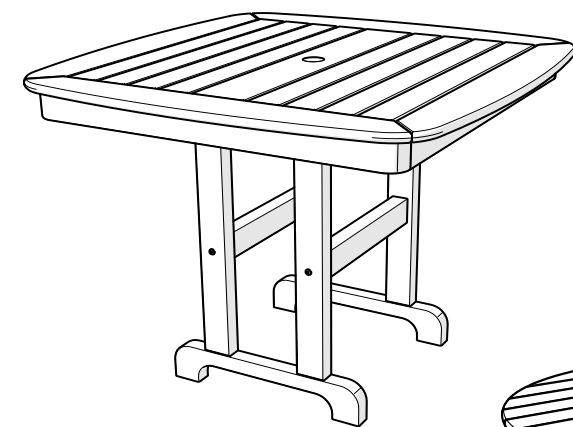
A x 4



3" Screw — H.27X3



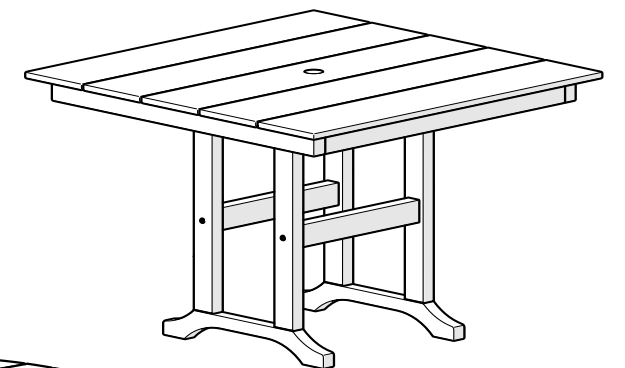
2.5" Screw — HHW14X2.5



NCT37, NCT44



RT236, RT248



FDT37

Something missing?  
Call (833) 665-6300

POLYWOOD

# POLYWOOD

## Assembly Instructions



1. Unfold chair
2. Remove shipping caps from rear brackets

## NCL32 Nautical Lowback Chair

[polywoodoutdoor.com](http://polywoodoutdoor.com)

*Thank You*

Thank you for choosing POLYWOOD!  
We hope our furniture helps create a gathering place for you and your loved ones to enjoy for many years to come!



### Reach Out

Let us know how we're doing:  
[hello@polywoodoutdoor.com](mailto:hello@polywoodoutdoor.com)  
(833) 665-6300



### Stay Connected

Be the first to hear about new products, giveaways, and more by signing up for our email list: [polywoodoutdoor.com/subscribe](http://polywoodoutdoor.com/subscribe)



### Watch & Learn

For assembly tips and videos visit:  
[polywoodoutdoor.com/assembly](http://polywoodoutdoor.com/assembly)

## Share your space

We love to see where our furniture ends up — snap a pic and tag it on Instagram or Facebook for your chance to be featured on our social channels!

**#polywood #rethinkoutdoor**



[facebook.com/polywoodoutdoor](https://facebook.com/polywoodoutdoor)



[@POLYWOOD](https://www.instagram.com/POLYWOOD)



[pinterest.com/polywood](https://pinterest.com/polywood)



[youtube.com/polywood](https://youtube.com/polywood)



## Did you know?

POLYWOOD was the original outdoor furniture made from recycled materials.

Learn more about our story:  
**[genuinePOLYWOOD.com](https://genuinePOLYWOOD.com)**



## 20-year warranty

View our full warranty:

**[polywoodoutdoor.com/warranty](https://polywoodoutdoor.com/warranty)**



## Having trouble?

If you have questions or concerns regarding assembly instructions or missing parts, please contact us at **[hello@polywoodoutdoor.com](mailto:hello@polywoodoutdoor.com)** or **(833) 665-6300**



## Cleaning tips

### **For a Quick Clean:**

Simply wipe down with soap and water.

### **For a Deep Clean:**

Wipe on  $\frac{1}{3}$  bleach and  $\frac{2}{3}$  water solution with a clean cloth and let it sit on the lumber for a few minutes (this will not affect the color). Then, loosen any dirt and debris that may catch in surface grooves with a soft bristle brush; hose down to rinse.

### **For a High-Power Clean:**

Use a pressure power washer (not exceeding 1,500 psi) to spray off dirt and debris. Apply a  $\frac{1}{3}$  bleach and  $\frac{2}{3}$  water solution and scrub with a soft-bristle brush. Hose down to rinse.