

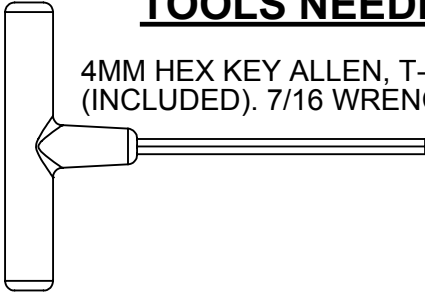
MODEL: TT11

\_\_ (1) HARDWARE PACK

**ADIRONDACK CHAIRS NOT INCLUDED**

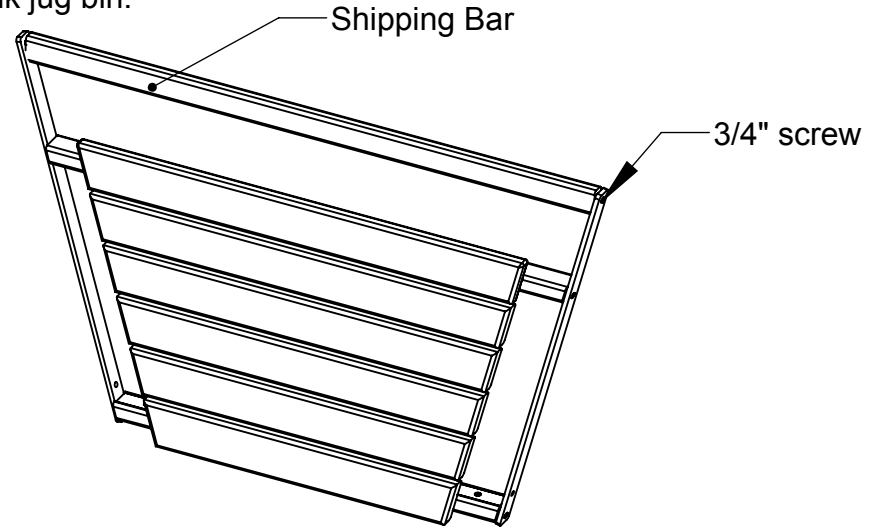
**TOOLS NEEDED**

4MM HEX KEY ALLEN, T-HANDLE (INCLUDED). 7/16 WRENCH (NOT INCLUDED)



**STEP 1**

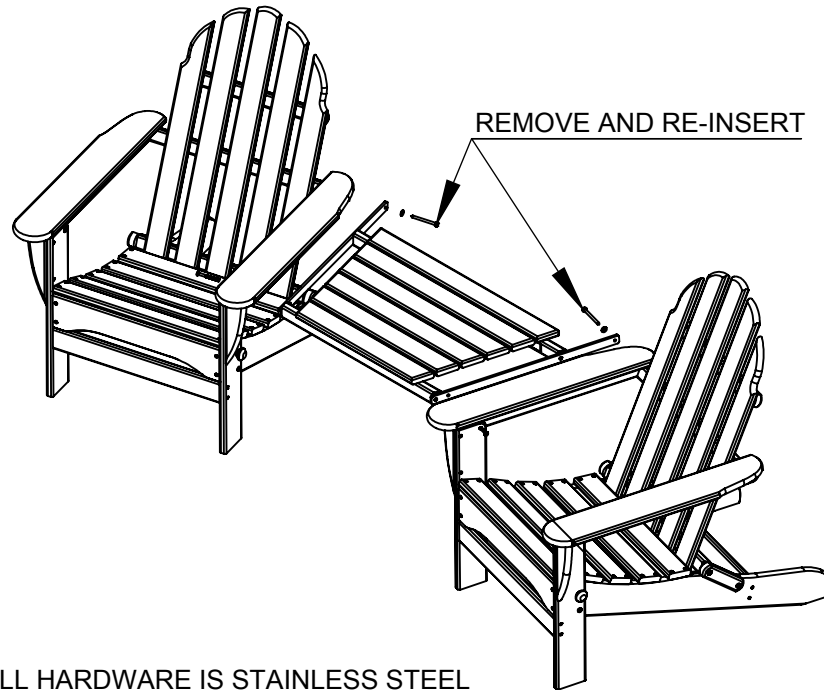
- Remove (2) 3/4" screws from shipping bar and recycle bar by taking it to nearest recycling center and placing in plastic milk jug bin.



**STEP 2**

- Remove (2) 2-1/4" Bolts from front of chair arms and replace with (2) 2-1/2" (A). Use existing Washer and Nylock Nut.

-Remove 3" Hex Head Lags from back of chair arms and re-insert to fasten table in place.



QTY	DESCRIPTION
-----	-------------

2

A - 1/4-20 X 2-1/2 WAFER SHCS



# POLYWOOD®

*All Weather Furnishings*

Join the POLYWOOD® Community

*Share in the love of outdoor living, recycling, and more...*



POLYWOOD



@POLYWOODINC



[youtube.com/polywood](https://youtube.com/polywood)



POLY-WORLD  
Blog



POLYWOOD



To view our full warranty, please visit the warranty page on our website at [polywoodinc.com/resources](https://polywoodinc.com/resources).

If you have questions or concerns regarding assembly instructions or missing parts, please contact us at (877) 457-3284 or email [support@polywoodinc.com](mailto:support@polywoodinc.com)