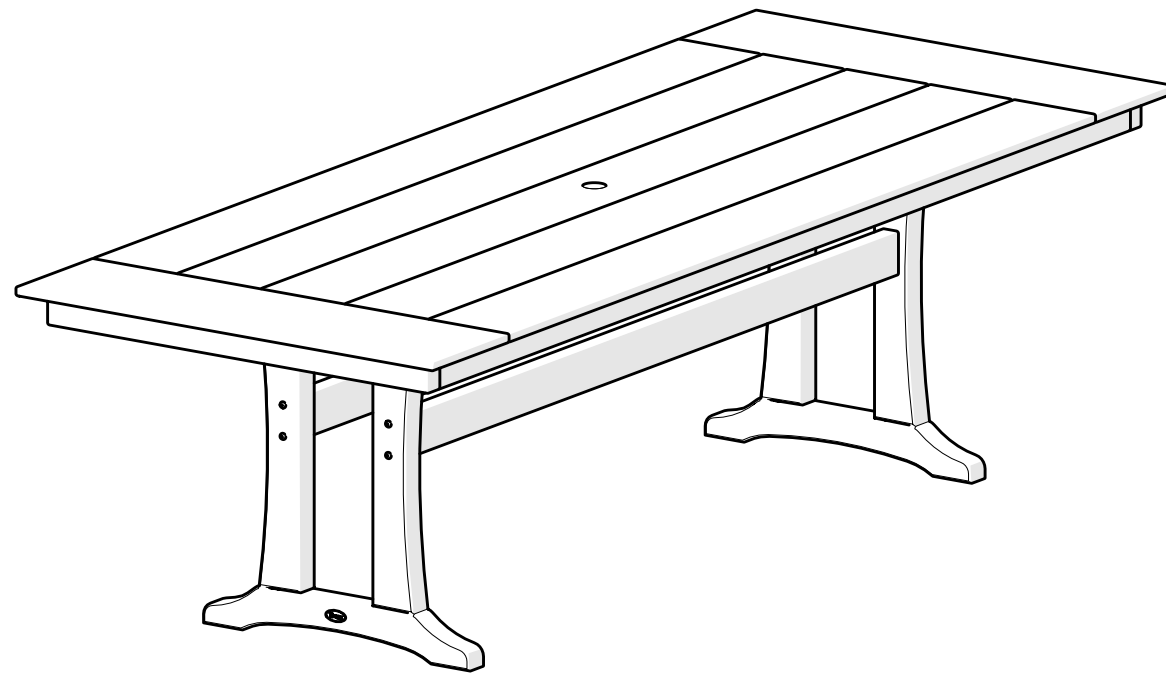




Assembly Instructions



TXL1D84, TXL1R84, TXL1B84

Farmhouse Trestle 38" x 96" Table

..... **20-Year Warranty**

To view our full warranty, please visit
trexfurniture.com/warranty

..... **Share your space**

We love to see where our furniture
ends up — snap a pic and share
it with us on Facebook!
facebook.com/trexfurniture

..... **Having Trouble?**

If you have questions or concerns regarding
assembly instructions or missing parts,
please contact us at **(877) 907-TREX (8739)**
or email support@trexfurniture.com

..... **Cleaning Tips**

Keep your Trex Outdoor Furniture™
looking brand new:

For a quick clean:

Simply wipe down with soap and water.

For a deeper clean:

You'll need:

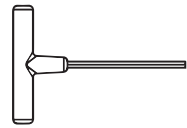
- » 1/3 bleach and 2/3 water solution
- » clean cloth
- » soft bristle brush

Wipe on solution with your cloth
and let it sit on the lumber for a few
minutes (this will not affect the color).
Then, loosen any dirt and debris that
may catch in surface grooves with a
soft bristle brush; hose down to rinse.

TOOLS

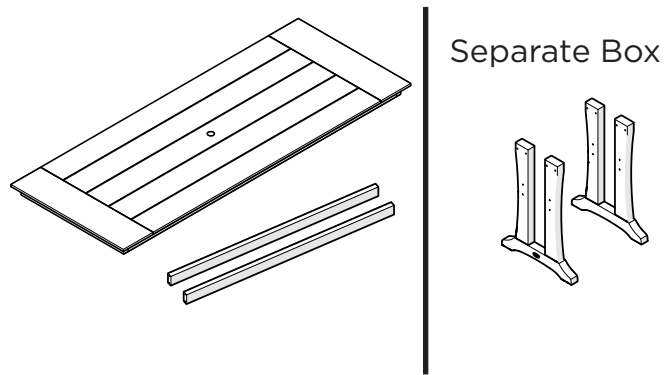


3/8" wrench
(not included)

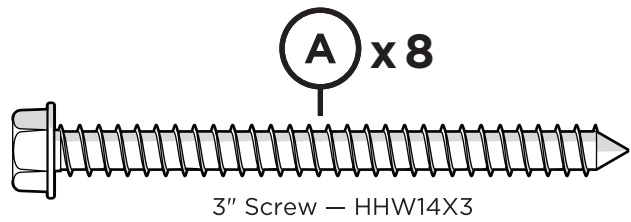


4mm T-handle
hex key (included)

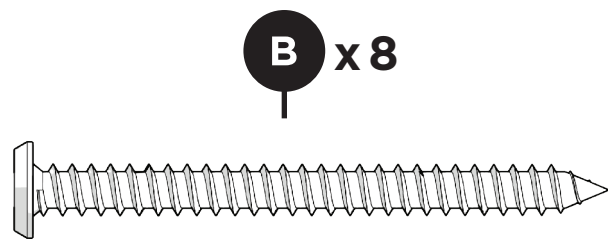
PARTS



Separate Box



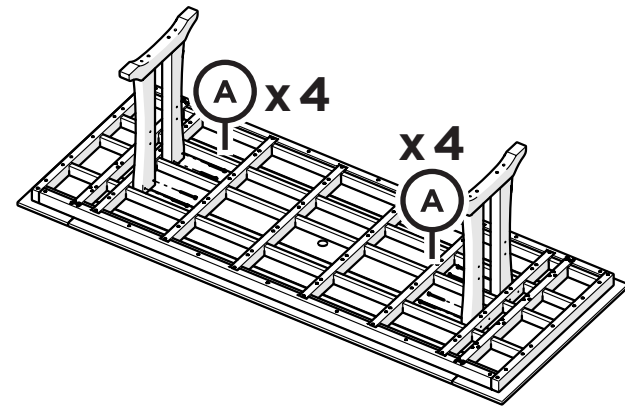
3" Screw – HHW14X3



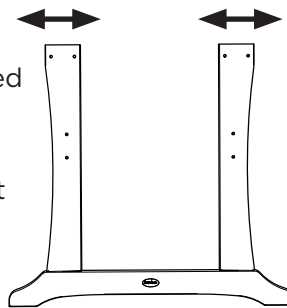
3" Screw – H.27X3

1

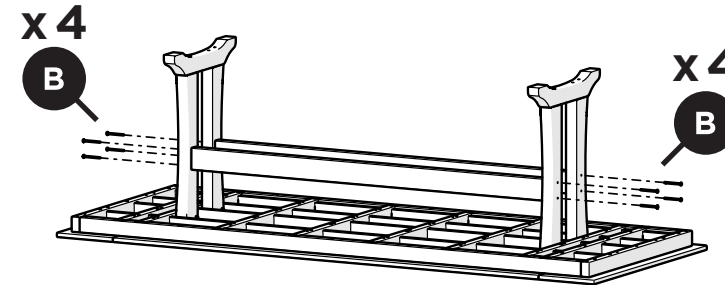
Align each screw with a pilot hole and partially thread by hand before fully tightening



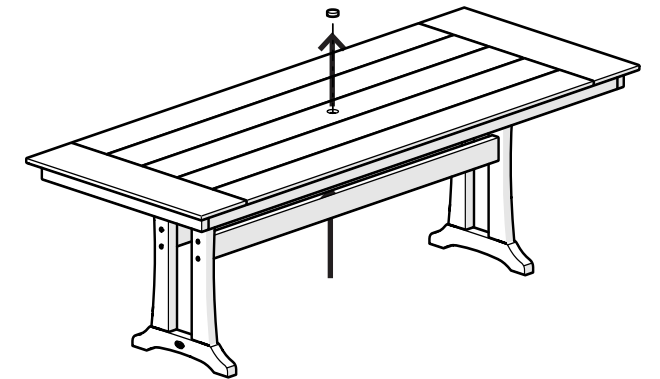
If legs have relaxed during transit, they may be guided into pilot hole alignment



2



Removable table plug included



! Remove protective plastic film from the logo medallion.

Trex[®]
Outdoor Furniture