

RT248

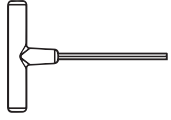
Round 48" Dining Table *Assembly Instructions*



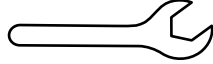


To watch a video of this assembly, visit [youtube.com/polywood](https://www.youtube.com/polywood)

TOOLS

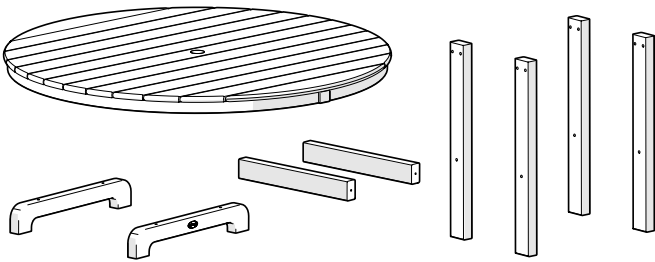


4mm T-handle
Hex Key (included)

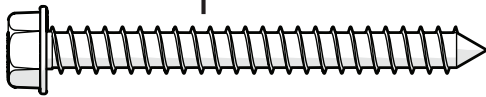


3/8" Wrench
(not included)

PARTS

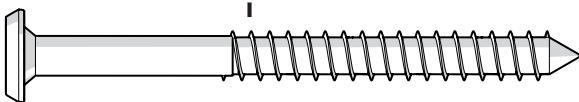


A x 8



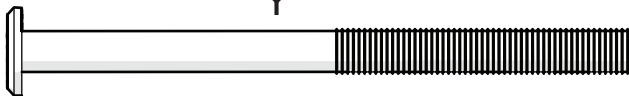
14 X 2.50 HEX WASHER T-A ALCHM

B x 4



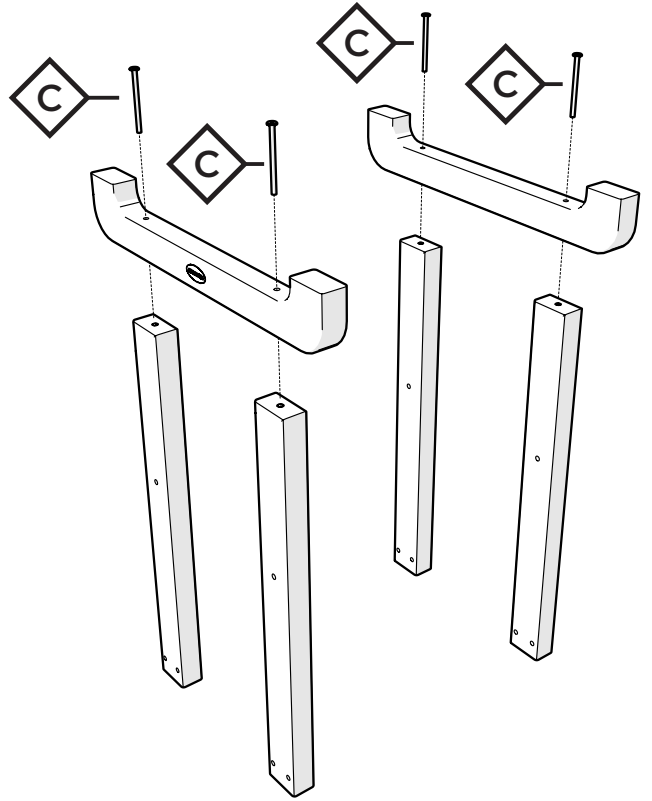
.27 x 3 SOCKET WAFER A

C x 4

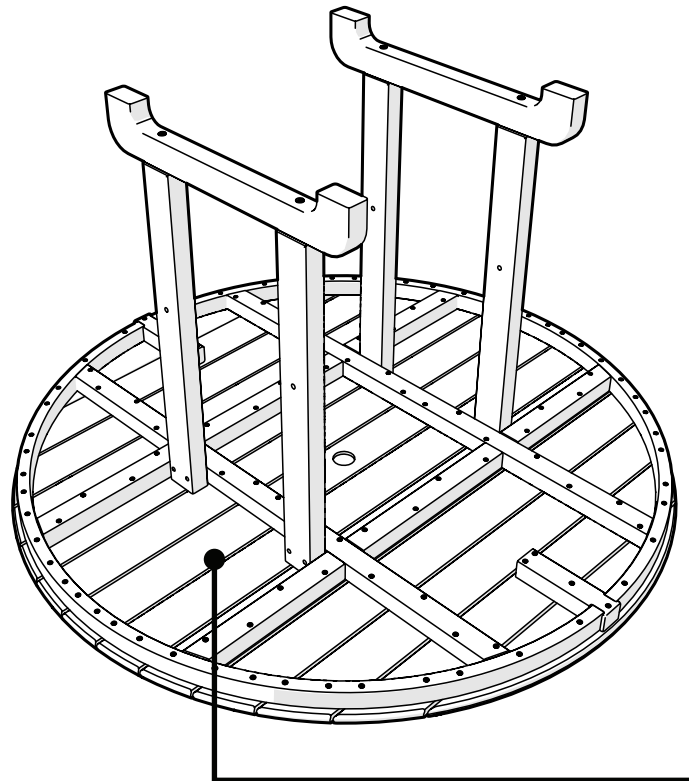


1/4-20 x 3-1/4 WAFER SHCS

1



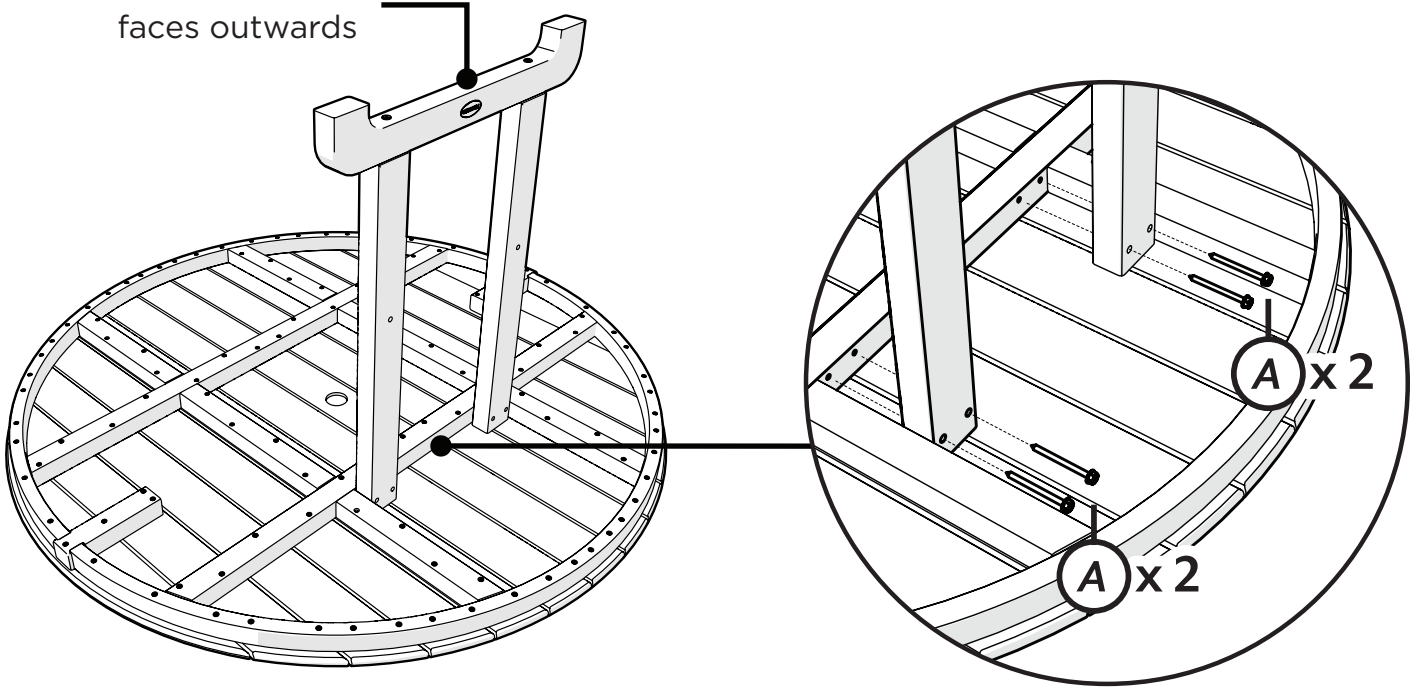
3



Something missing? Call (877) 457-3284

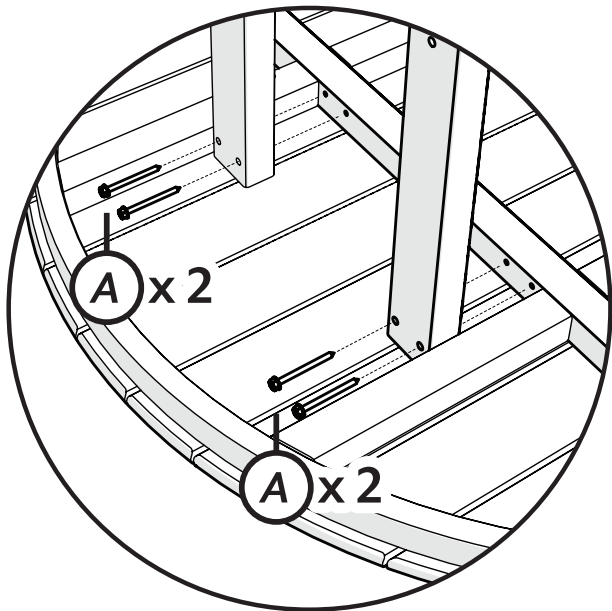
2

Make sure label faces outwards

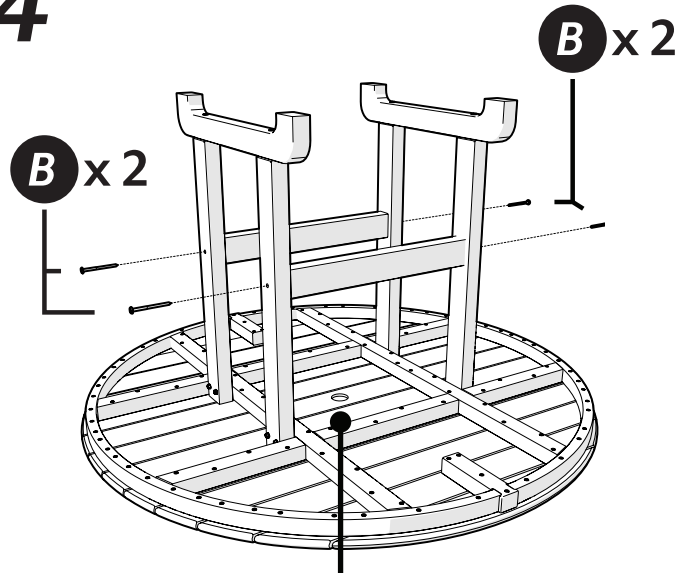


NOTE: Do not over-tighten

NOTE: Do not over-tighten



4



Removable table plug included in table

POLYWOOD®

All Weather Furnishings

Join the POLYWOOD® Community
Share in the love of outdoor living, recycling, and more...



POLYWOOD



@POLYWOODINC



[youtube.com/polywood](https://www.youtube.com/polywood)



POLY-WORLD
Blog



POLYWOOD



To view our full warranty, please visit the warranty page on our website at polywoodinc.com/resources.

If you have questions or concerns regarding assembly instructions or missing parts, please contact us at (877) 457-3284 or email support@polywoodinc.com



POLYWOOD

Assembly Instructions



Having Trouble?

If you have questions or concerns regarding assembly instructions or missing parts, please contact us at (877) 457-3284 or email support@polywoodoutdoor.com



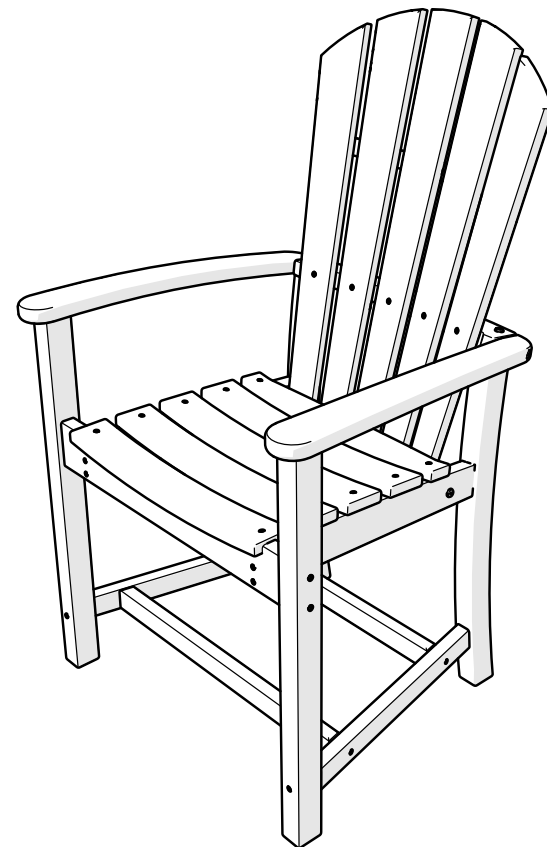
Share your space

We love to see where our furniture ends up — snap a pic and share it on Instagram or Facebook!
#polywood



Watch & Learn

For assembly videos and more, visit [youtube.com/polywood](https://www.youtube.com/polywood)



HND200, HND202 Palm Coast Adirondack Chair

20-Year Warranty

To view our full warranty, please visit polywoodoutdoor.com/warranty

Easily register your product using one of the methods below:

Text POLYWOOD to 71403
Receive a link to register online

— or —

Register on our website
register.polywoodoutdoor.com

— or —

Send a Picture
Take a photo of the icon below and text it to 71403 (US only)



Cleaning Tips

Even POLYWOOD gets dirty — here are some ways to help keep it clean:

For a quick clean:

Simply wipe down with soap and water.

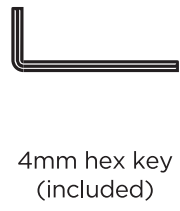
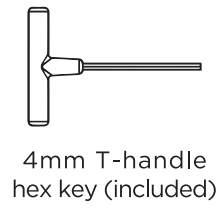
For a deeper clean:

You'll need:

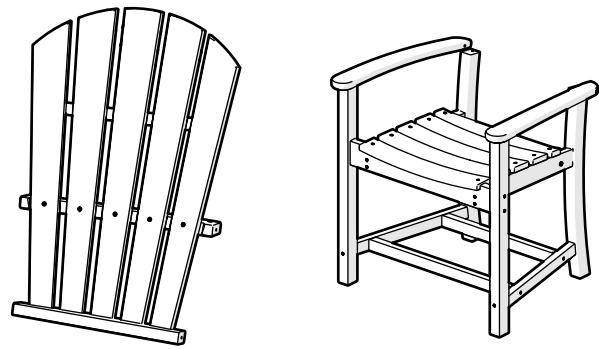
- » 1/3 bleach and 2/3 water solution
- » clean cloth
- » soft bristle brush

Wipe on solution with your cloth and let it sit on the lumber for a few minutes (this will not affect the color). Then, loosen any dirt and debris that may catch in surface grooves with a soft bristle brush; hose down to rinse.

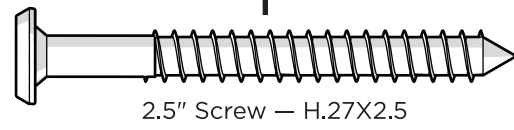
TOOLS



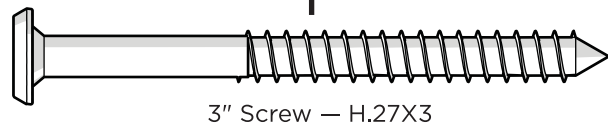
PARTS



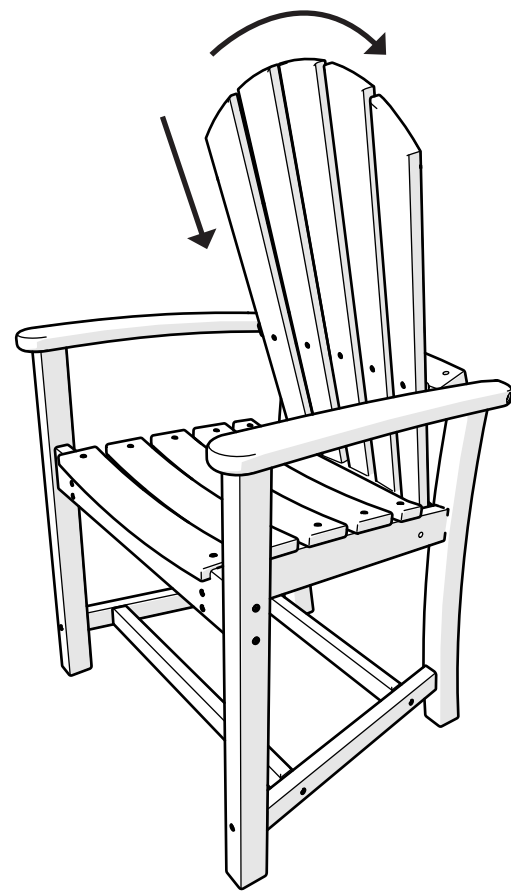
A x4



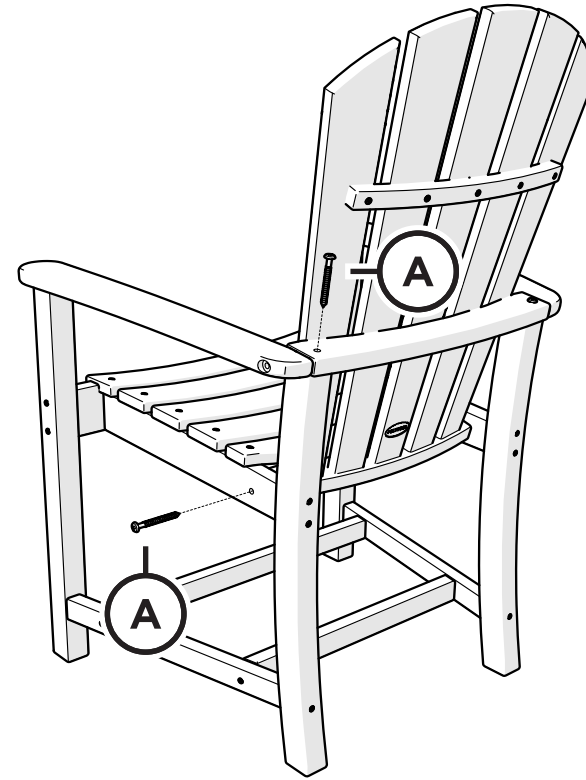
B x2



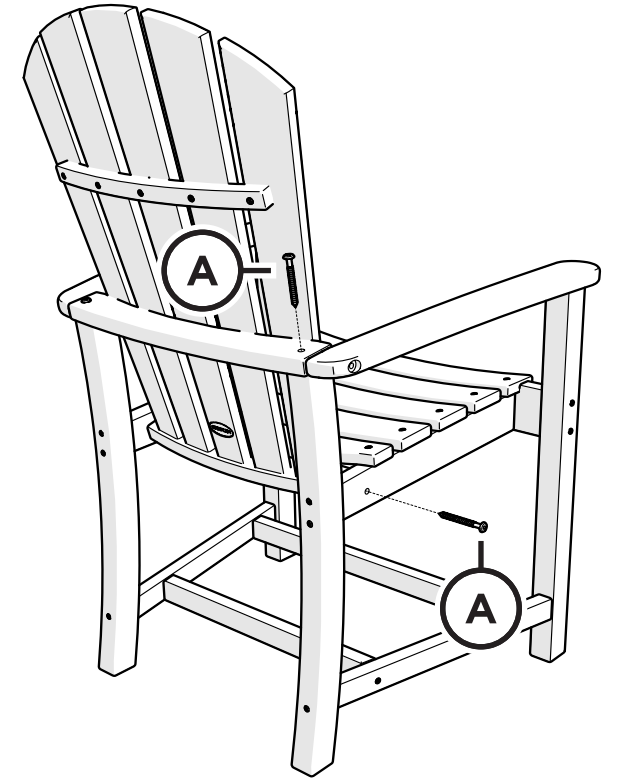
1



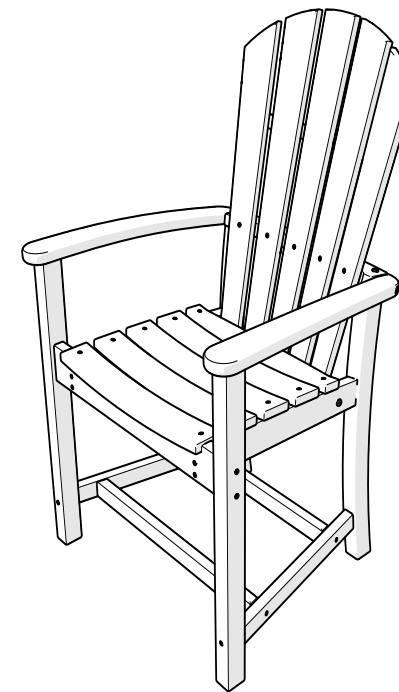
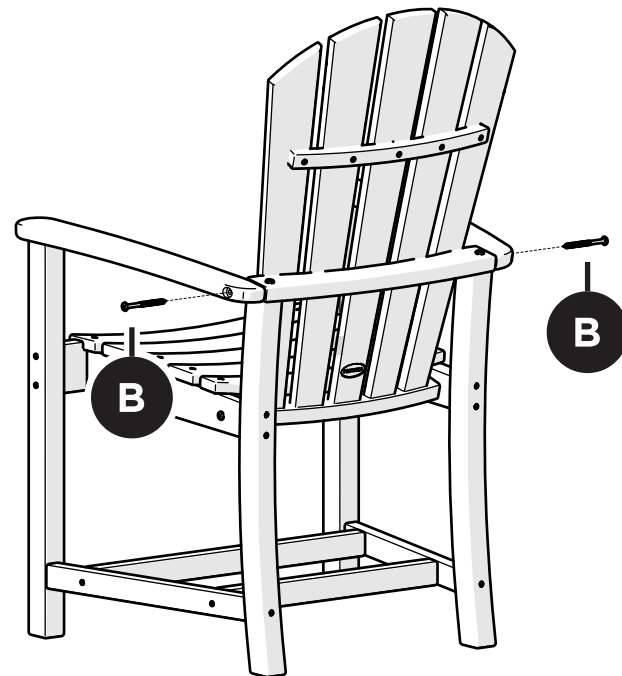
2



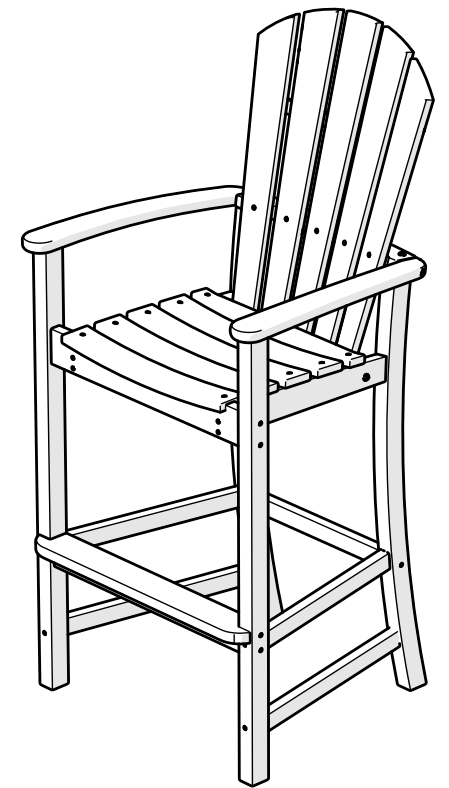
3



4



HND200



HND202