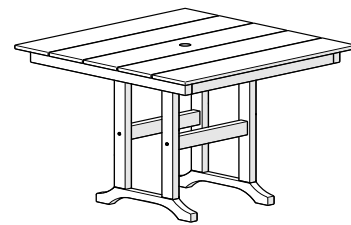


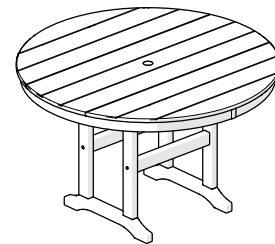


## Assembly Instructions

### TXLD Leg Kit

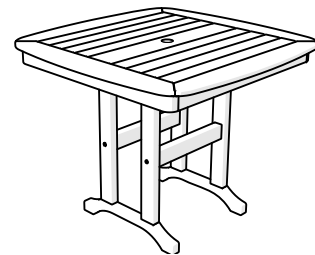


**TXFDT37**  
Monterey Bay 37"  
Dining Table



**TXRT236**  
Monterey Bay  
Round 36"  
Dining Table

**TXRT248**  
Monterey Bay  
Round 48"  
Dining Table



**TXNCT37**  
Yacht Club 37"  
Dining Table

**TXNCT44**  
Yacht Club 44"  
Dining Table

### ..... 20-Year Warranty .....

To view our full warranty, please visit  
[trexfurniture.com/warranty](http://trexfurniture.com/warranty)

### ..... Share your space .....

We love to see where our furniture  
ends up — snap a pic and share  
it with us on Facebook!  
[facebook.com/trexfurniture](https://facebook.com/trexfurniture)

### ..... Having Trouble? .....

If you have questions or concerns regarding  
assembly instructions or missing parts,  
please contact us at (877) 907-TREX (8739)  
or email [support@trexfurniture.com](mailto:support@trexfurniture.com)

### ..... Cleaning Tips .....

Keep your Trex Outdoor Furniture™  
looking brand new:

#### **For a quick clean:**

Simply wipe down with soap and water.

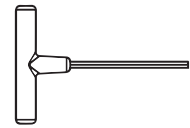
#### **For a deeper clean:**

You'll need:

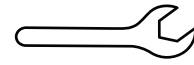
- » 1/3 bleach and 2/3 water solution
- » clean cloth
- » soft bristle brush

Wipe on solution with your cloth  
and let it sit on the lumber for a few  
minutes (this will not affect the color).  
Then, loosen any dirt and debris that  
may catch in surface grooves with a  
soft bristle brush; hose down to rinse.

## TOOLS

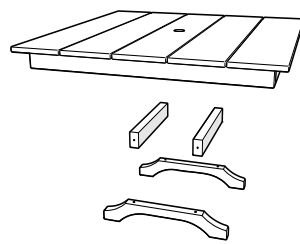


4mm T-handle  
hex key (included)

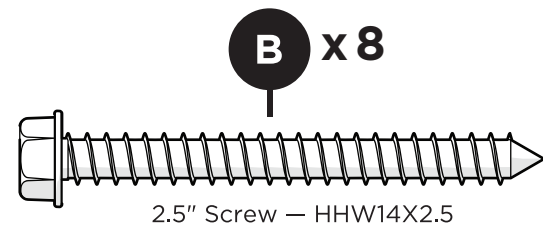
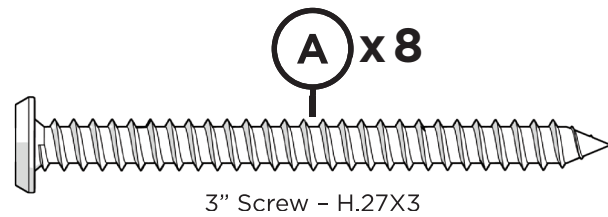
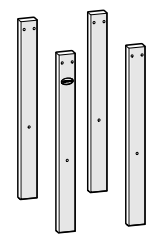


3/8" wrench  
(not included)

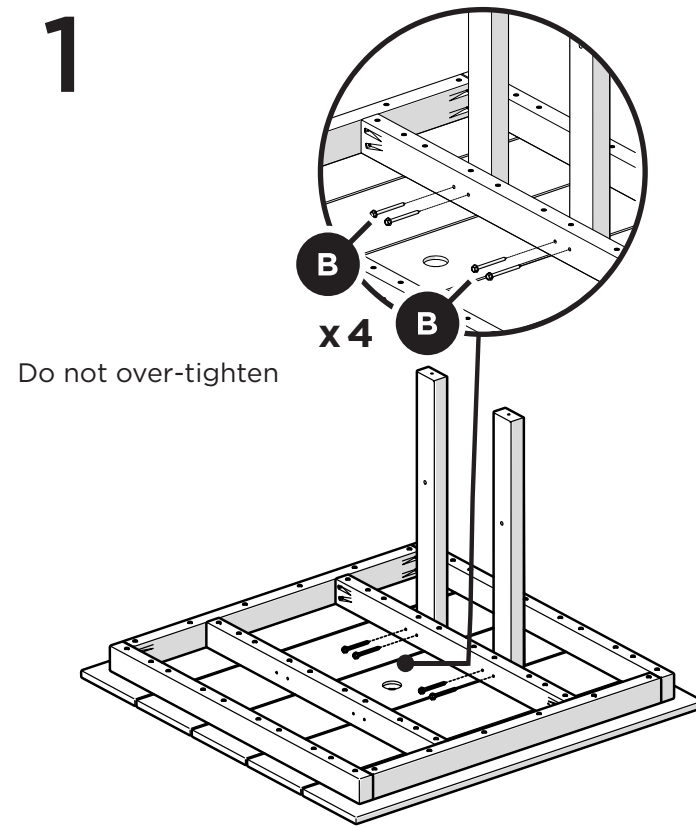
## PARTS



Separate box

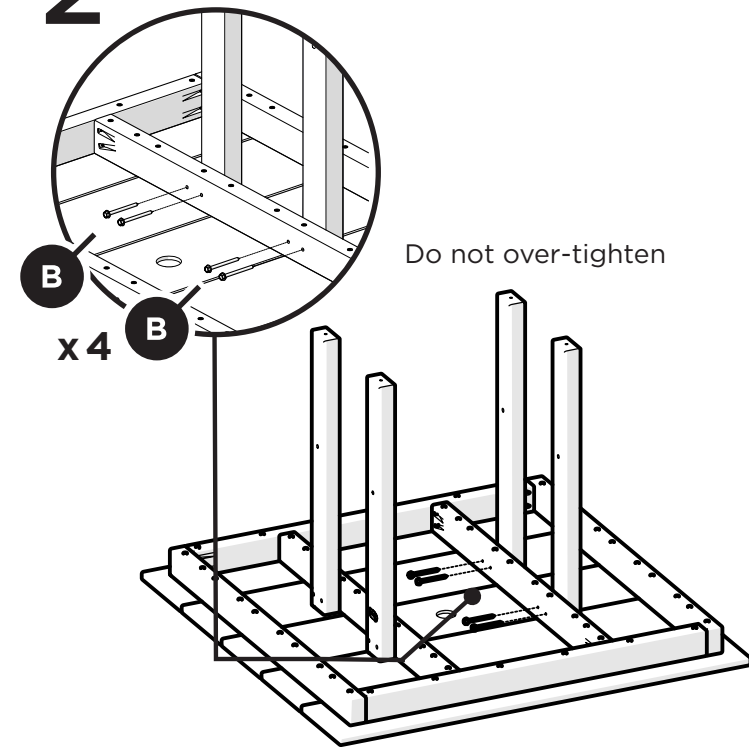


1

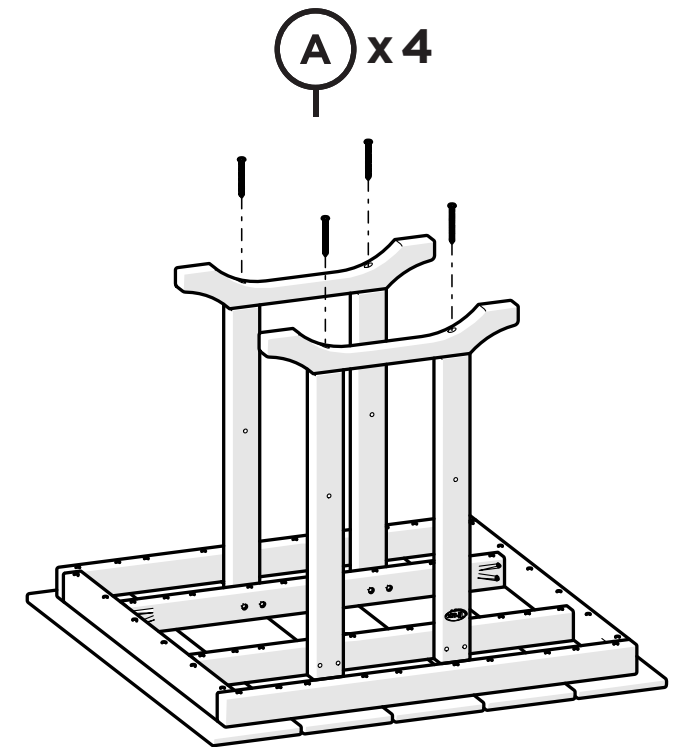


TXFDT37 shown for parts and assembly

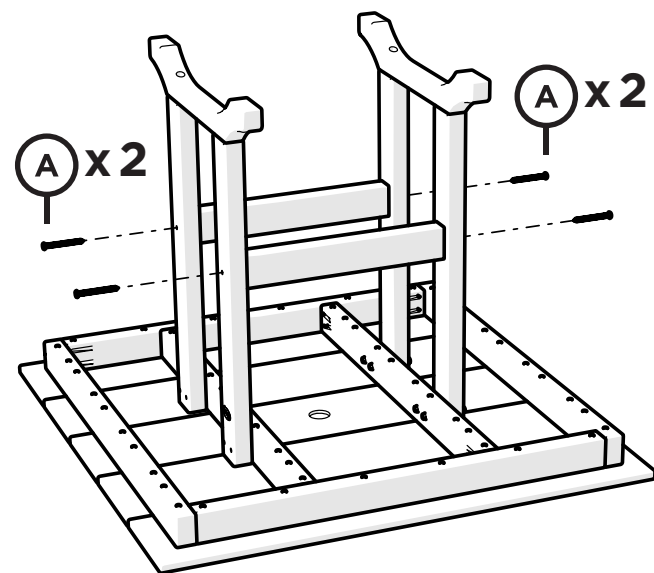
2



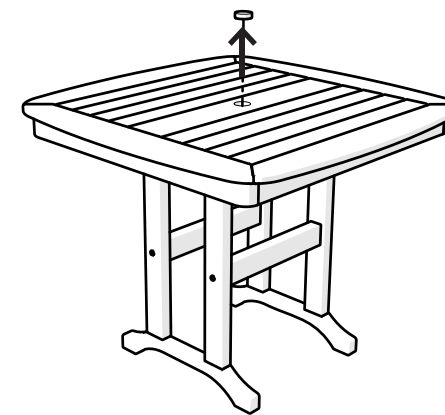
3



4



Remove protective plastic  
film from the logo medallion.



Removable  
table plug

