



# POLYWOOD

## Assembly Instructions



### Having Trouble?

If you have questions or concerns regarding assembly instructions or missing parts, please contact us at (833) 665-6300 or email [support@polywoodoutdoor.com](mailto:support@polywoodoutdoor.com)



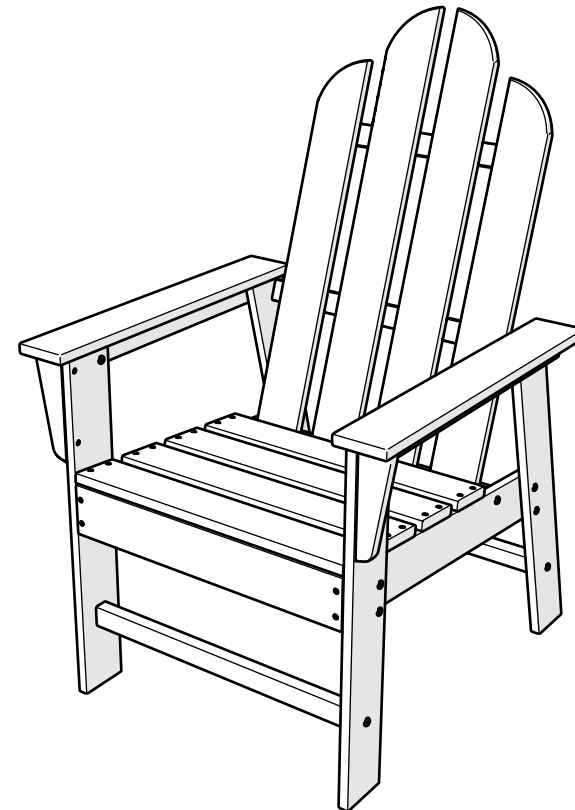
### Share your space

We love to see where our furniture ends up — snap a pic and share it on Instagram or Facebook!  
**#polywood**



### Watch & Learn

For assembly videos and more, visit [youtube.com/polywood](https://youtube.com/polywood)



### 20-Year Warranty

To view our full warranty, please visit [polywoodoutdoor.com/warranty](https://polywoodoutdoor.com/warranty)

Easily register your product using one of the methods below:

#### Text POLYWOOD to 71403

Receive a link to register online

— or —

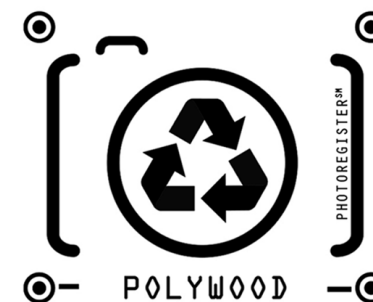
#### Register on our website

[register.polywoodoutdoor.com](https://register.polywoodoutdoor.com)

— or —

#### Send a Picture

Take a photo of the icon below and text it to 71403 (US only)



### Cleaning Tips

Even POLYWOOD gets dirty — here are some ways to help keep it clean:

#### For a quick clean:

Simply wipe down with soap and water.

#### For a deeper clean:

You'll need:

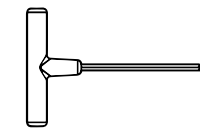
- » 1/3 bleach and 2/3 water solution
- » clean cloth
- » soft bristle brush

Wipe on solution with your cloth and let it sit on the lumber for a few minutes (this will not affect the color). Then, loosen any dirt and debris that may catch in surface grooves with a soft bristle brush; hose down to rinse.

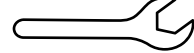
## ECD16

### Long Island Dining Chair

# TOOLS

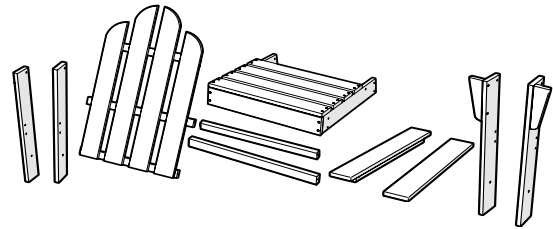


4mm T-handle hex key (included)

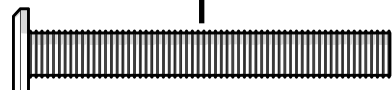


7/16" wrench (not included)

# PARTS



**A** x 8

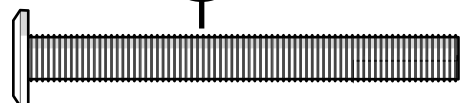


1.875" Bolt — H.25-20X1.875



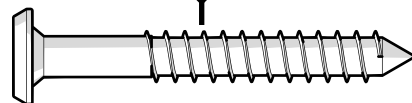
Flange Nylon Lock Nut HN.25-20

**B** x 2



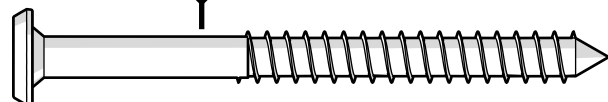
2.25" Bolt — H.25-20X2.25

**C** x 6



2" Screw — H.27X2

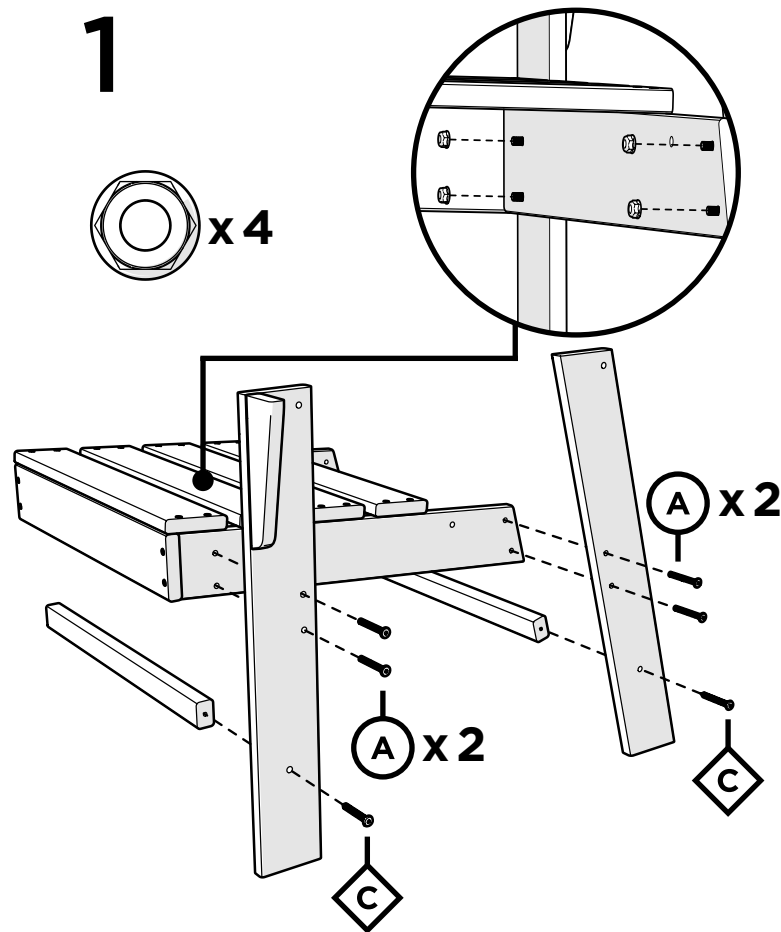
**D** x 2



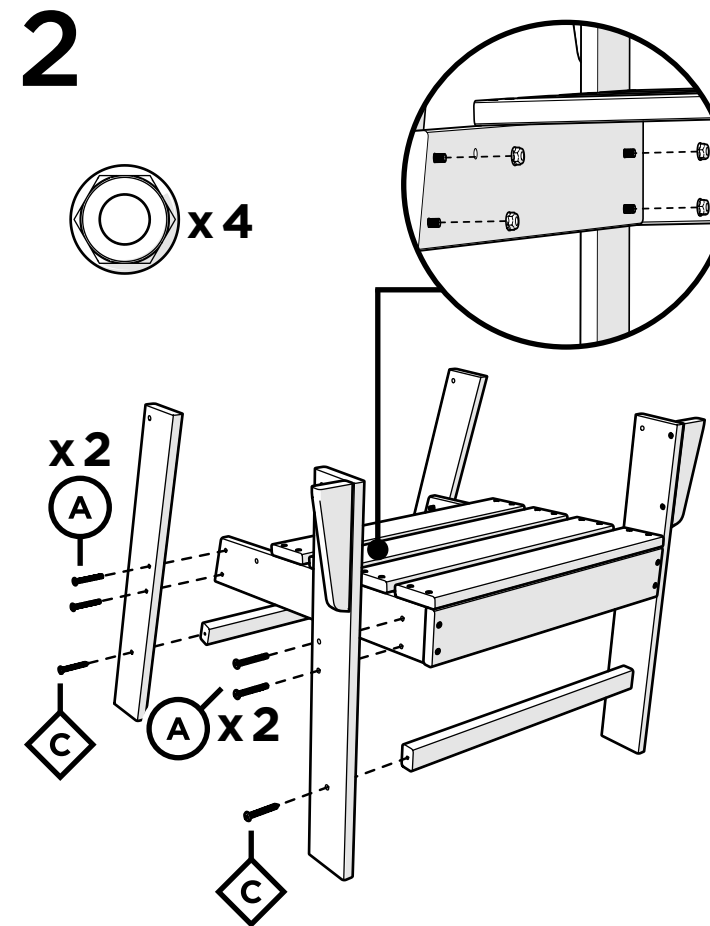
3" Screw — H.27X3

Something missing?  
Call (833) 665-6300

**1**

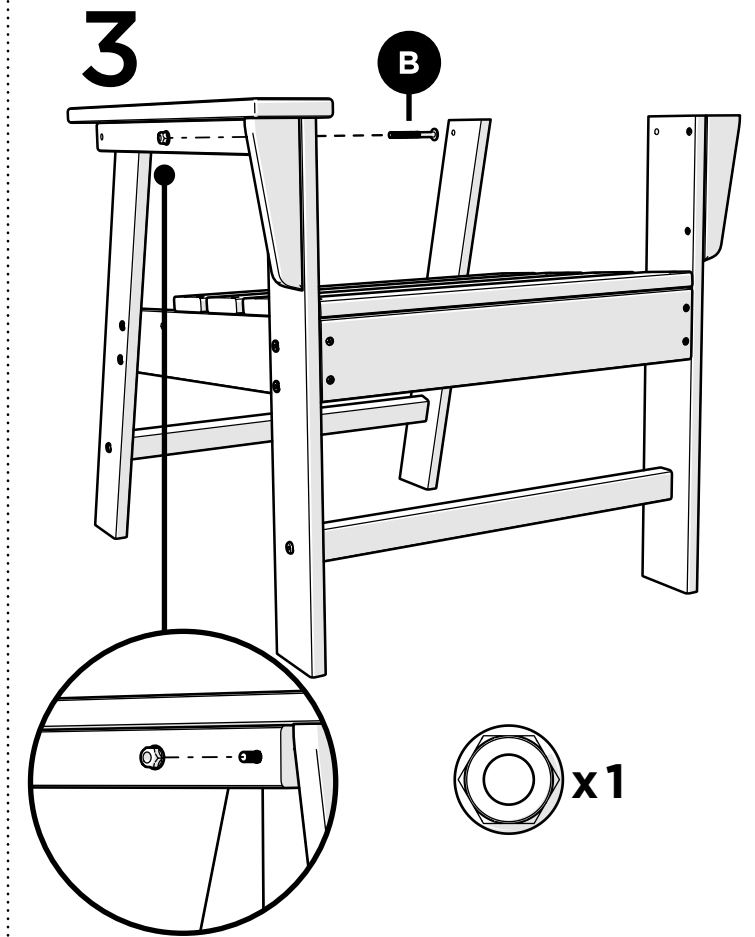


**2**

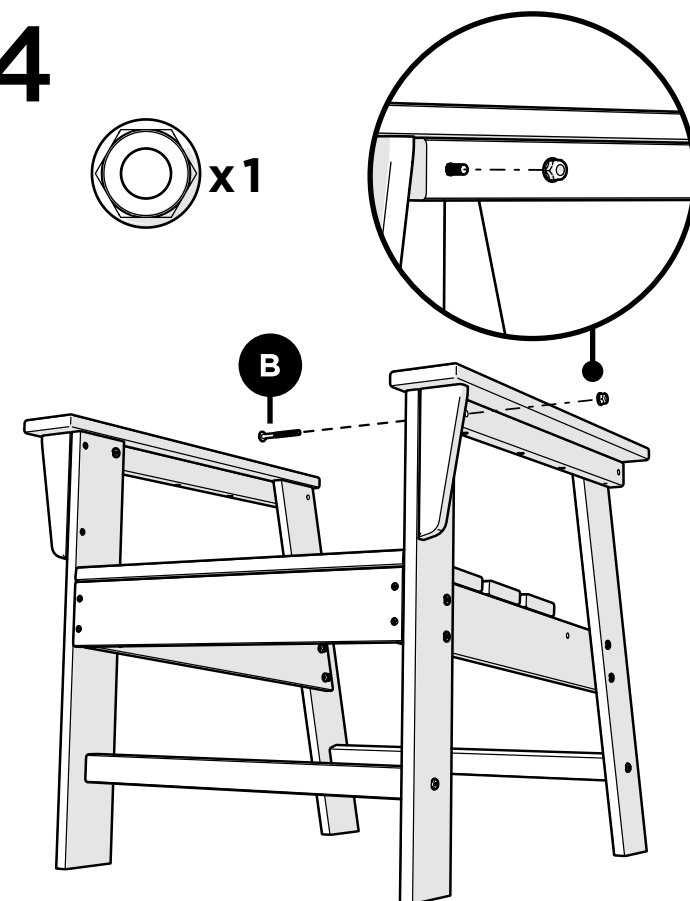


**3**

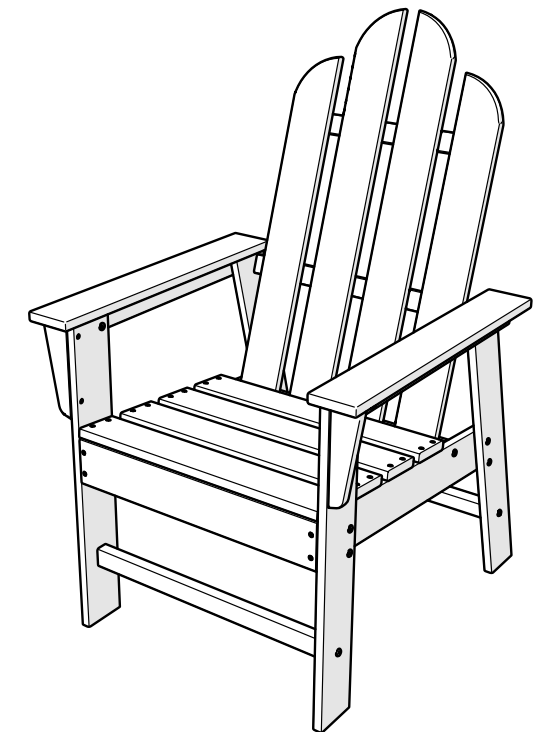
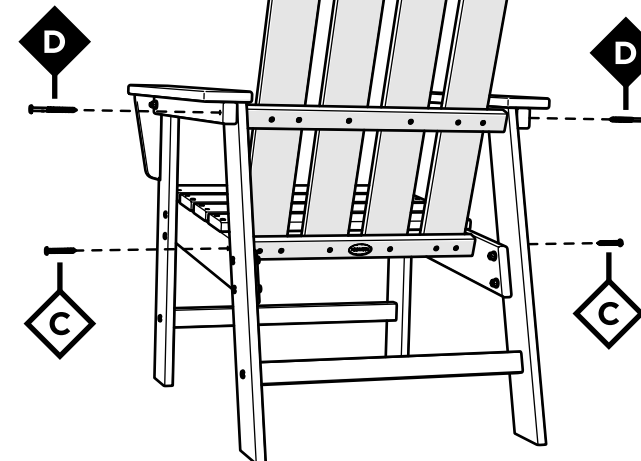
**B**



**4**



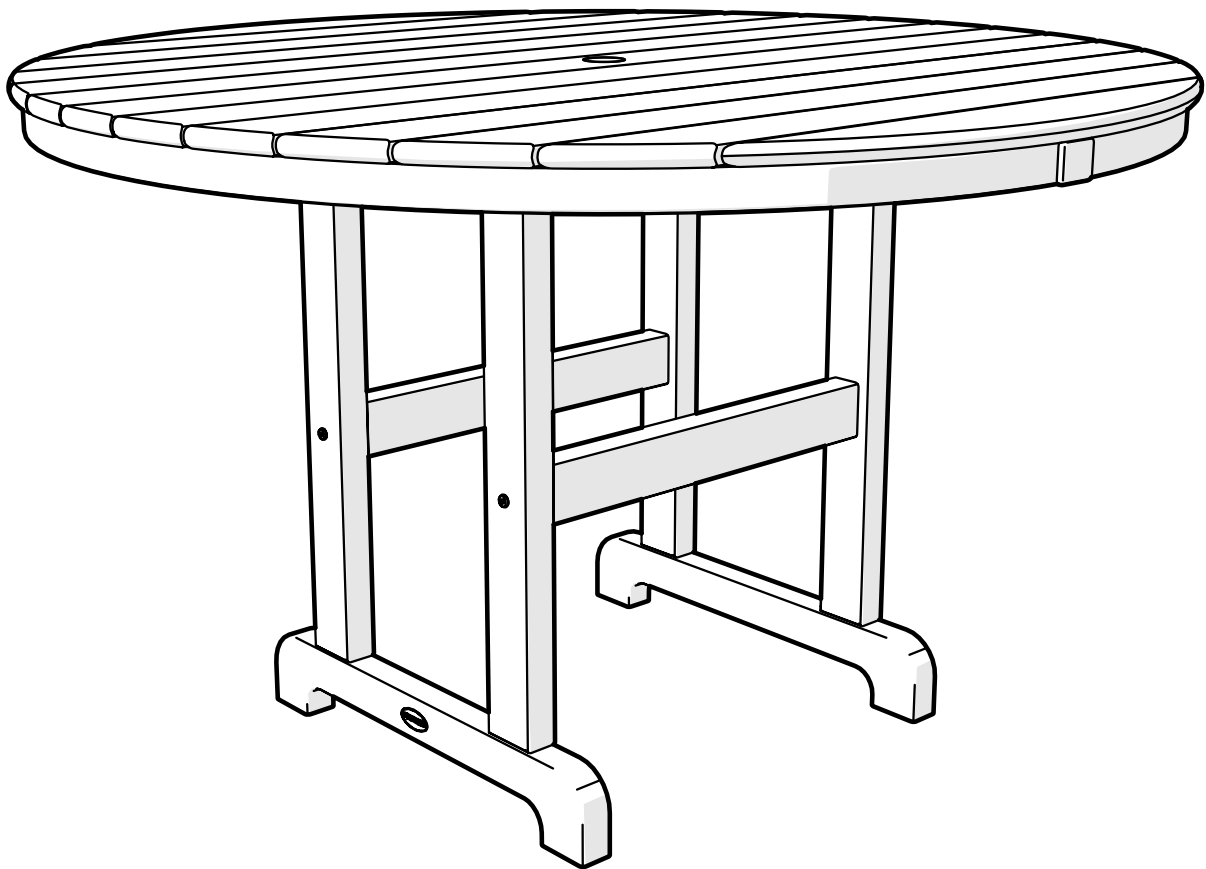
**5**



**POLYWOOD**

# RT248

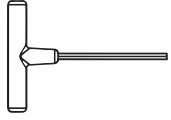
## Round 48" Dining Table *Assembly Instructions*



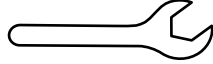


To watch a video of this assembly, visit [youtube.com/polywood](https://www.youtube.com/polywood)

### TOOLS

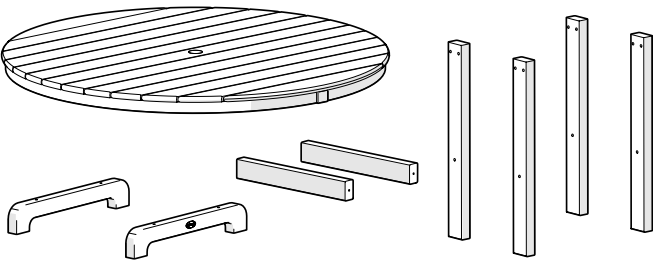


4mm T-handle  
Hex Key (included)

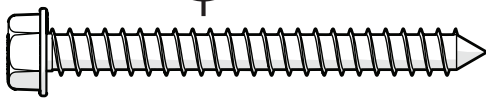


3/8" Wrench  
(not included)

### PARTS

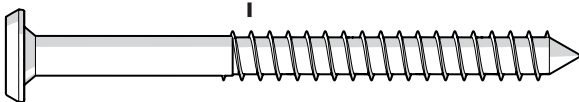


**A** x 8



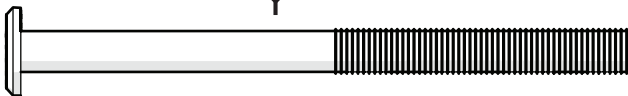
14 X 2.50 HEX WASHER T-A ALCHM

**B** x 4



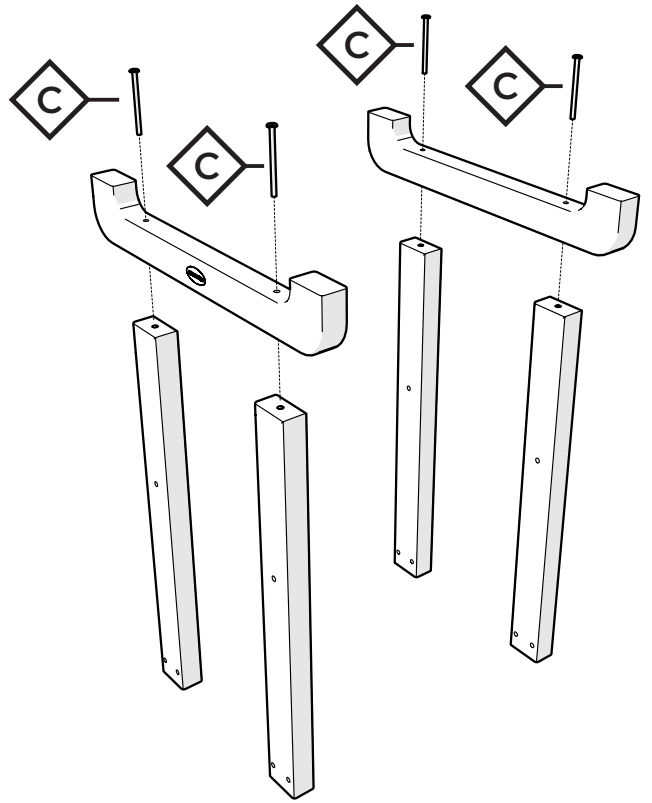
.27 x 3 SOCKET WASHER A

**C** x 4

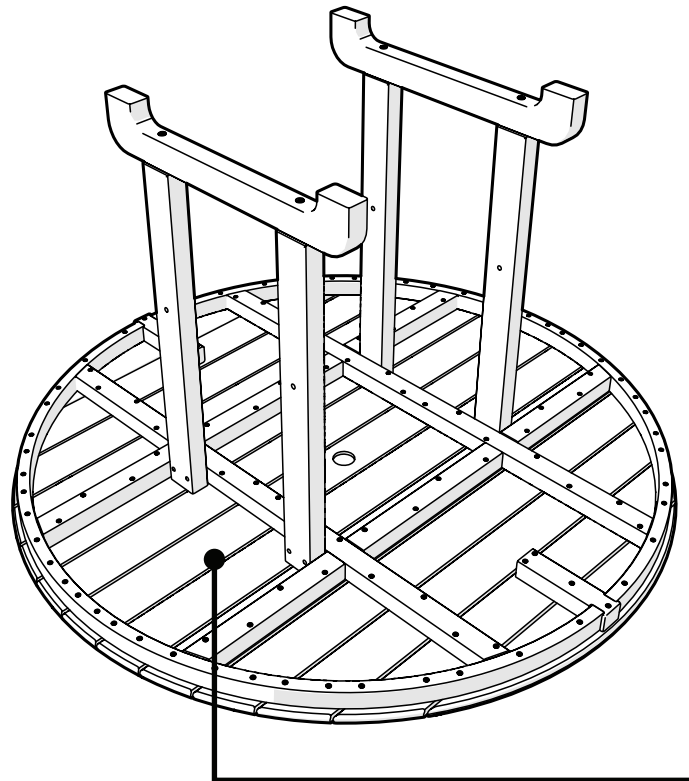


1/4-20 x 3-1/4 WASHER SHCS

**1**



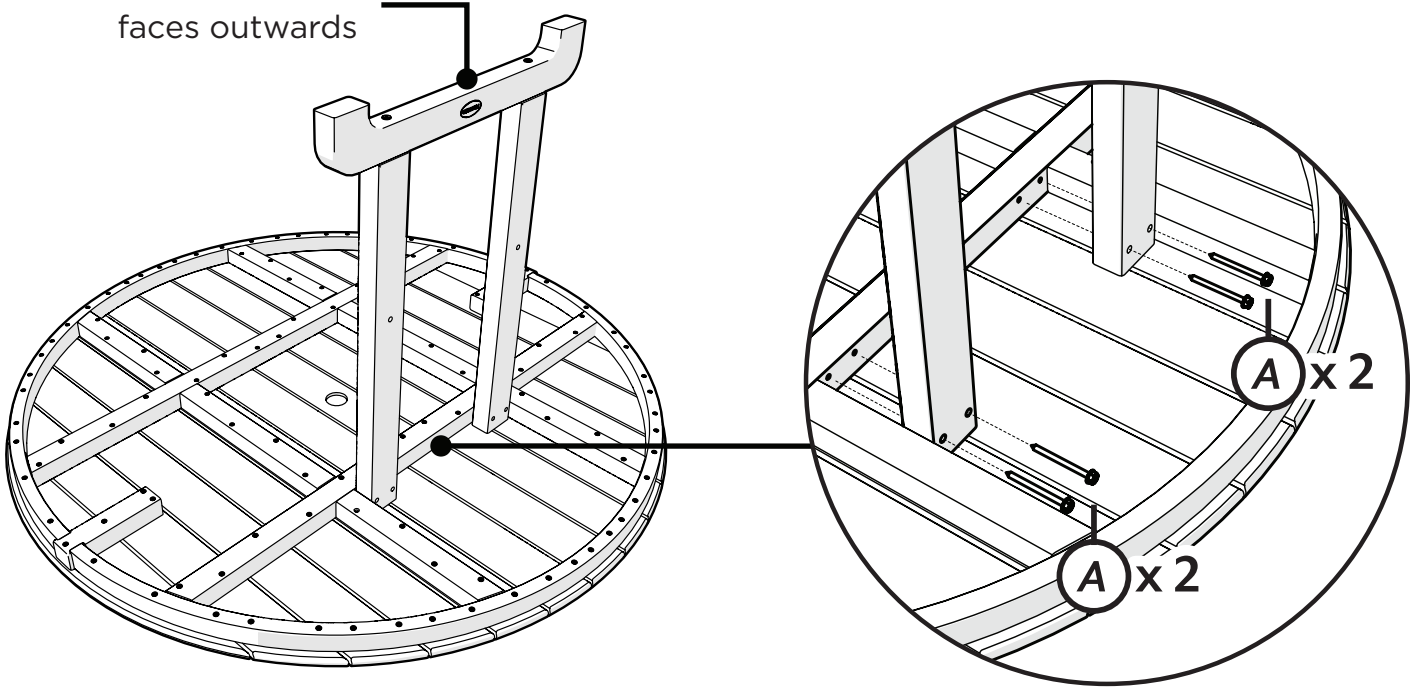
**3**



Something missing? Call (877) 457-3284

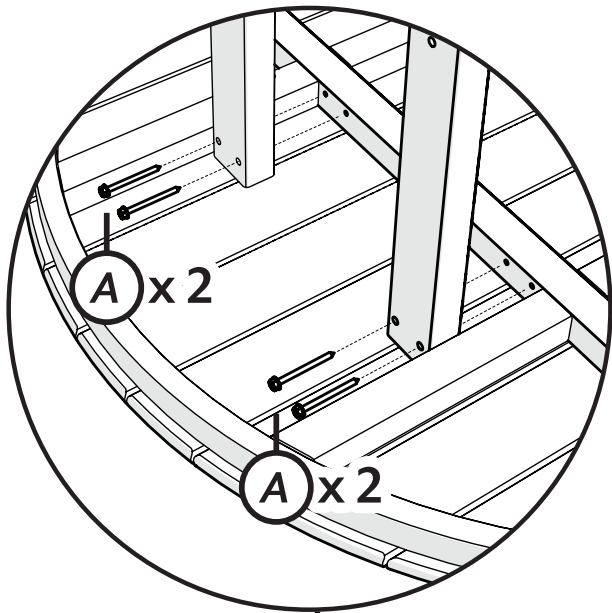
# 2

Make sure label faces outwards

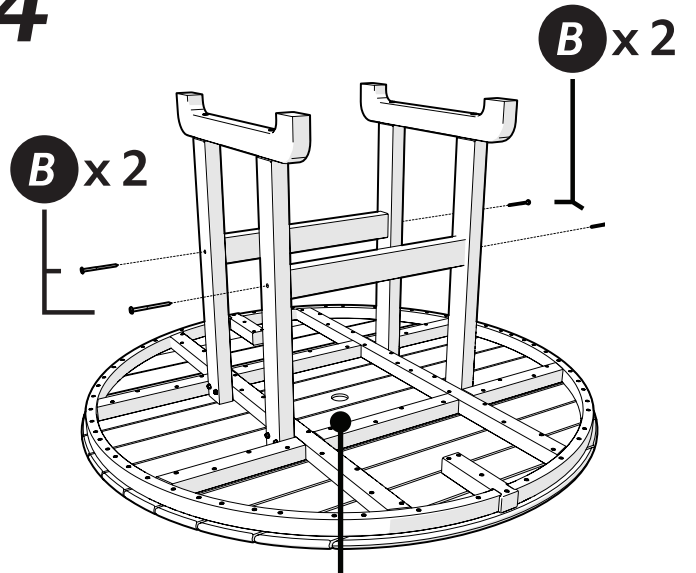


NOTE: Do not over-tighten

NOTE: Do not over-tighten



# 4



Removable table plug included in table

# POLYWOOD®

*All Weather Furnishings*

Join the POLYWOOD® Community  
*Share in the love of outdoor living, recycling, and more...*



POLYWOOD



@POLYWOODINC



[youtube.com/polywood](https://www.youtube.com/polywood)



POLY-WORLD  
Blog



POLYWOOD



To view our full warranty, please visit the warranty page on our website at [polywoodinc.com/resources](https://polywoodinc.com/resources).

If you have questions or concerns regarding assembly instructions or missing parts, please contact us at (877) 457-3284 or email [support@polywoodinc.com](mailto:support@polywoodinc.com)