



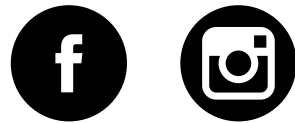
# POLYWOOD

## Assembly Instructions



### Having Trouble?

If you have questions or concerns regarding assembly instructions or missing parts, please contact us at (877) 457-3284 or email [support@polywoodoutdoor.com](mailto:support@polywoodoutdoor.com)



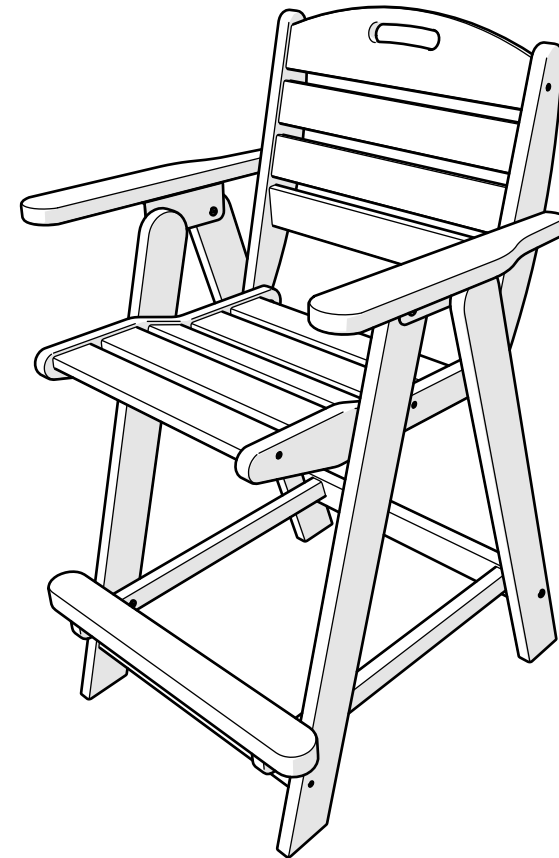
### Share your space

We love to see where our furniture ends up — snap a pic and share it on Instagram or Facebook!  
**#polywood**



### Watch & Learn

For assembly videos and more, visit [youtube.com/polywood](https://www.youtube.com/polywood)



## NCB40, NCB46 Nautical Chair

### 20-Year Warranty

To view our full warranty, please visit [polywoodoutdoor.com/warranty](https://polywoodoutdoor.com/warranty)

Easily register your product using one of the methods below:

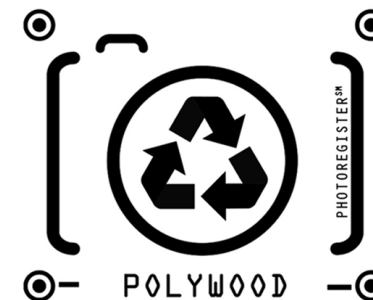
**Text POLYWOOD to 71403**  
Receive a link to register online

— or —

**Register on our website**  
[register.polywoodoutdoor.com](https://register.polywoodoutdoor.com)

— or —

**Send a Picture**  
Take a photo of the icon below and text it to 71403 (US only)



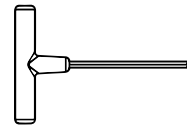
### Cleaning Tips

Even POLYWOOD gets dirty — here are some ways to help keep it clean:

**For a quick clean:**  
Simply wipe down with soap and water.

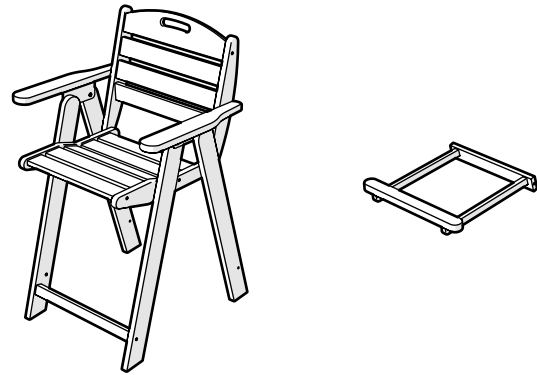
**For a deeper clean:**  
You'll need:  
» 1/3 bleach and 2/3 water solution  
» clean cloth  
» soft bristle brush  
Wipe on solution with your cloth and let it sit on the lumber for a few minutes (this will not affect the color). Then, loosen any dirt and debris that may catch in surface grooves with a soft bristle brush; hose down to rinse.

# TOOLS

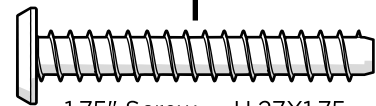


4mm T-handle  
hex key (included)

# PARTS

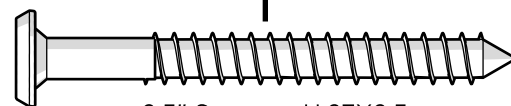


**A** x 4



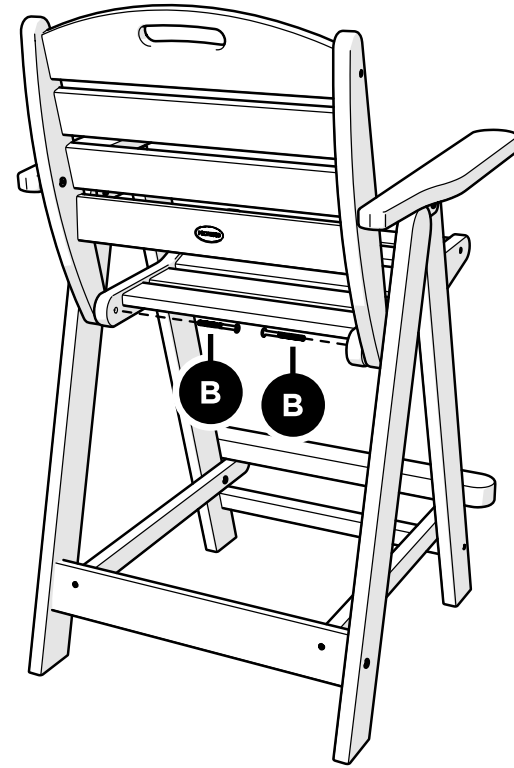
1.75" Screw — H.27X1.75

**B** x 2

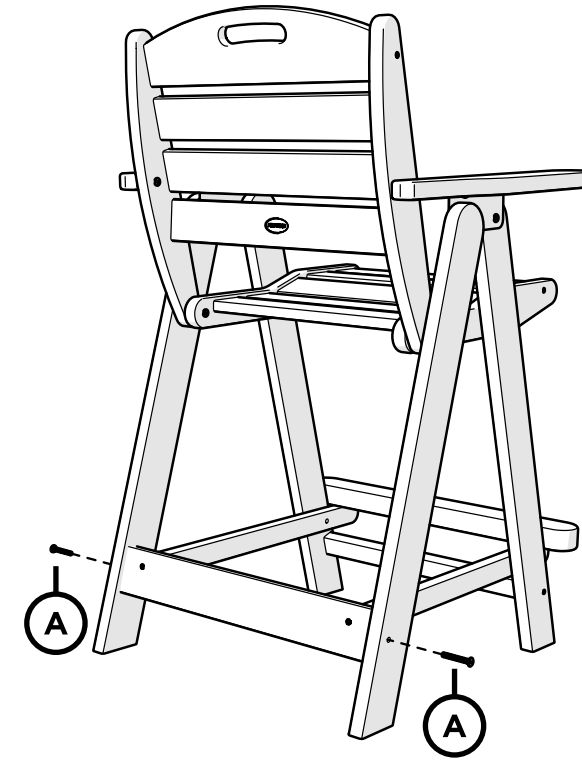


2.5" Screw — H.27X2.5

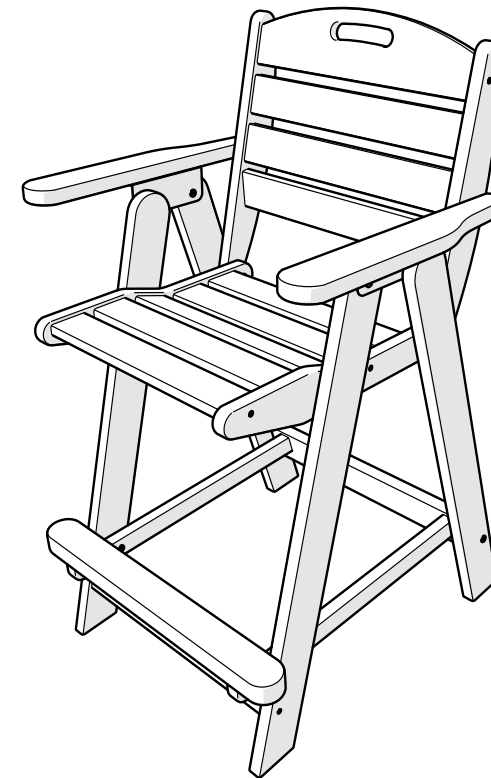
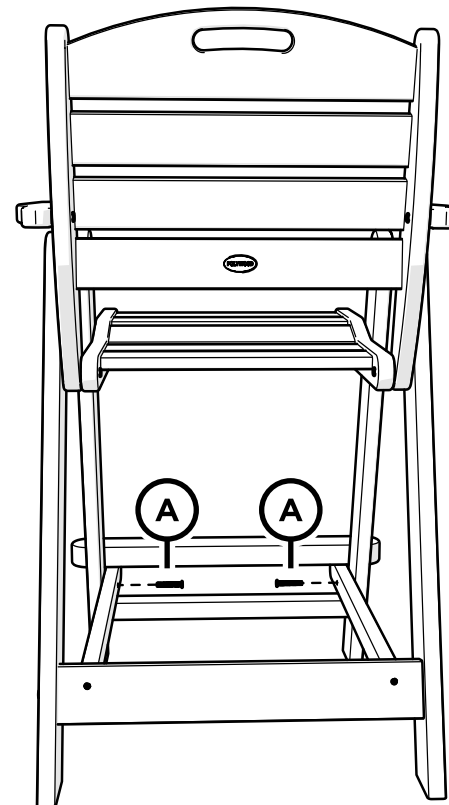
**1**



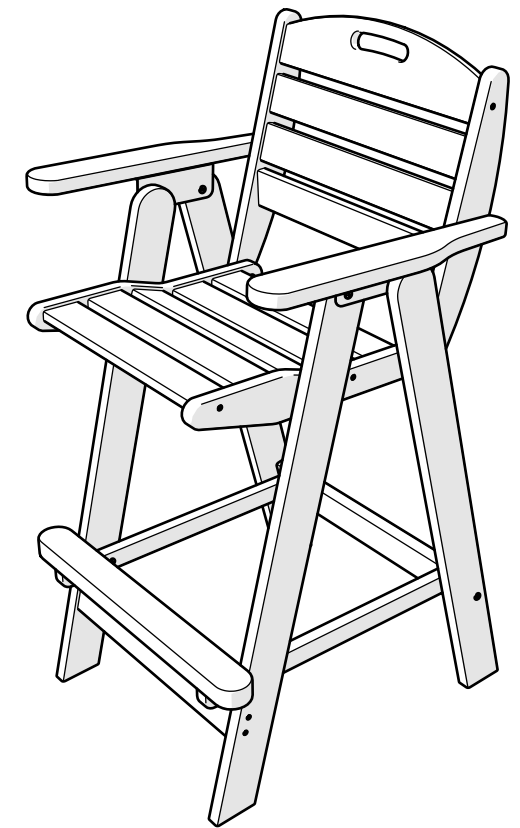
**2**



**3**



NCB40



NCB46



All Weather Furnishings

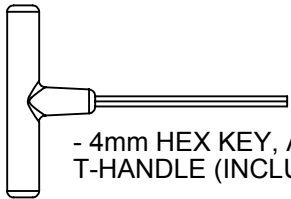
**Model:**

NCT44, NCCT44,  
NCRT44, NCBT44

- (1) Table top
- (4) Leg
- (2) Foot
- (2) Brace
- (1) Hardware pack

**TOOLS NEEDED**

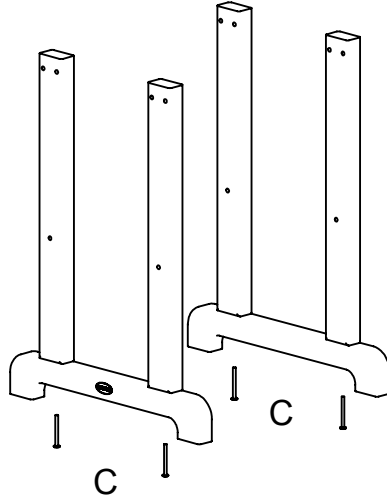
- 3/8 Wrench



- 4mm HEX KEY, ALLEN,  
T-HANDLE (INCLUDED)

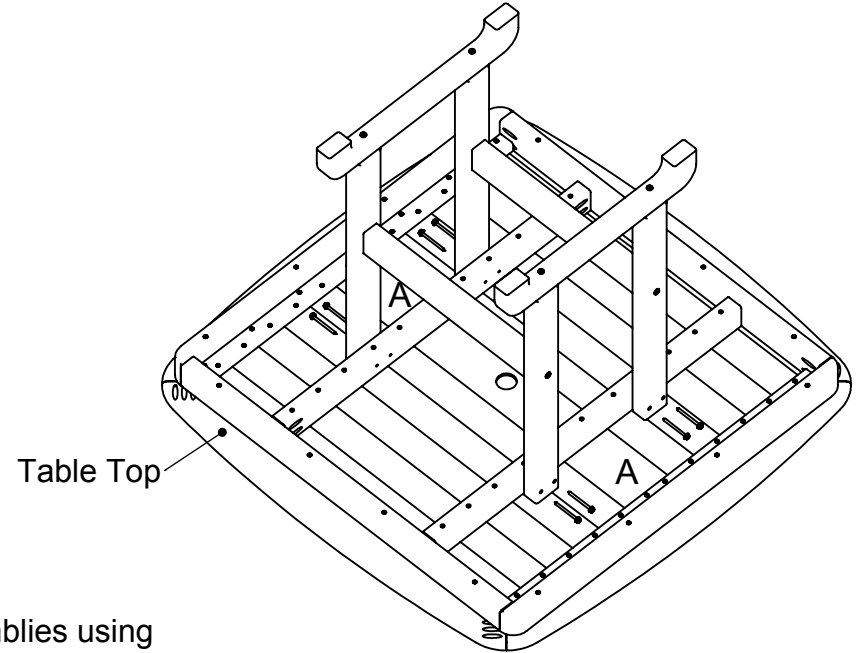
**Step 1**

Attach feet to legs using (4) 3 1/4" Chair bolts.



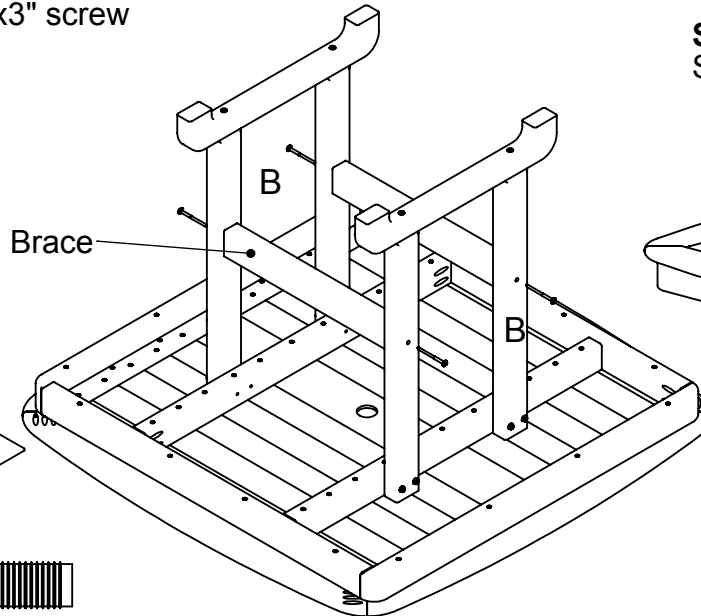
**Step 2**

Lay table top on flat surface.  
Attach the leg assemblies to the table frame using  
(8) 14x2 1/2" hex screw \*Do not tighten until last step



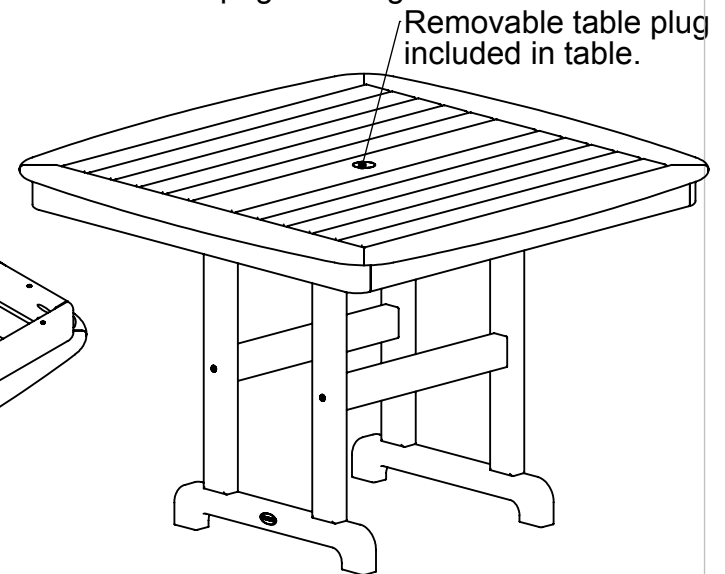
**Step 3**

Attach the leg braces to the leg assemblies using  
(4) .27x3" screw



**Step 4**

Set table upright and tighten all bolts.



Qty. Description

8 A - 14 X 2.50 HEX WASHER T-A ALCHM

4 B - .273 X 3 SOCKET WAFER A

4 C - 1/4-20 X 3-1/4 WAFER SHCS



To view our full warranty, please visit the warranty page on our website at [polywoodinc.com/resources](http://polywoodinc.com/resources)