

POLYWOOD

Assembly Instructions



NO ASSEMBLY REQUIRED

TGD180 **Braxton Dining** **Side Chair**

polywoodoutdoor.com

Thank You

Thank you for choosing POLYWOOD!
We hope our furniture helps create a gathering
place for you and your loved ones to enjoy
for many years to come!



Reach Out

Let us know how we're doing:
hello@polywoodoutdoor.com
(833) 665-6300



Stay Connected

Be the first to hear about new products,
giveaways, and more by signing up for our
email list: polywoodoutdoor.com/subscribe



Watch & Learn

For assembly tips and videos visit:
polywoodoutdoor.com/assembly

Share your space

We love to see where our furniture ends up — snap a pic and tag it on Instagram or Facebook for your chance to be featured on our social channels!

#polywood #rethinkoutdoor



facebook.com/polywoodoutdoor



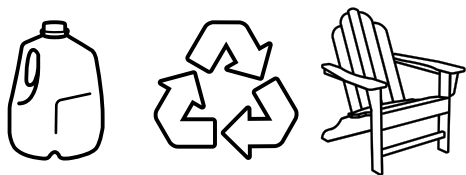
[@POLYWOOD](https://instagram.com/POLYWOOD)



pinterest.com/polywood



youtube.com/polywood



Did you know?

POLYWOOD was the original outdoor furniture made from recycled materials.

Learn more about our story:
genuinePOLYWOOD.com



20-year warranty

View our full warranty:

polywoodoutdoor.com/warranty



Having trouble?

If you have questions or concerns regarding assembly instructions or missing parts, please contact us at **hello@polywoodoutdoor.com** or **(833) 665-6300**



Cleaning tips

For a Quick Clean:

Simply wipe down with soap and water.

For a Deep Clean:

Wipe on $\frac{1}{3}$ bleach and $\frac{2}{3}$ water solution with a clean cloth and let it sit on the lumber for a few minutes (this will not affect the color). Then, loosen any dirt and debris that may catch in surface grooves with a soft bristle brush; hose down to rinse.

For a High-Power Clean:

Use a pressure power washer (not exceeding 1,500 psi) to spray off dirt and debris. Apply a $\frac{1}{3}$ bleach and $\frac{2}{3}$ water solution and scrub with a soft-bristle brush. Hose down to rinse.

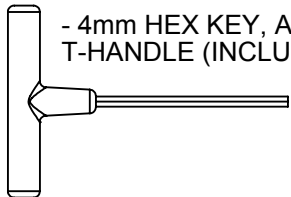


All Weather Furnishings

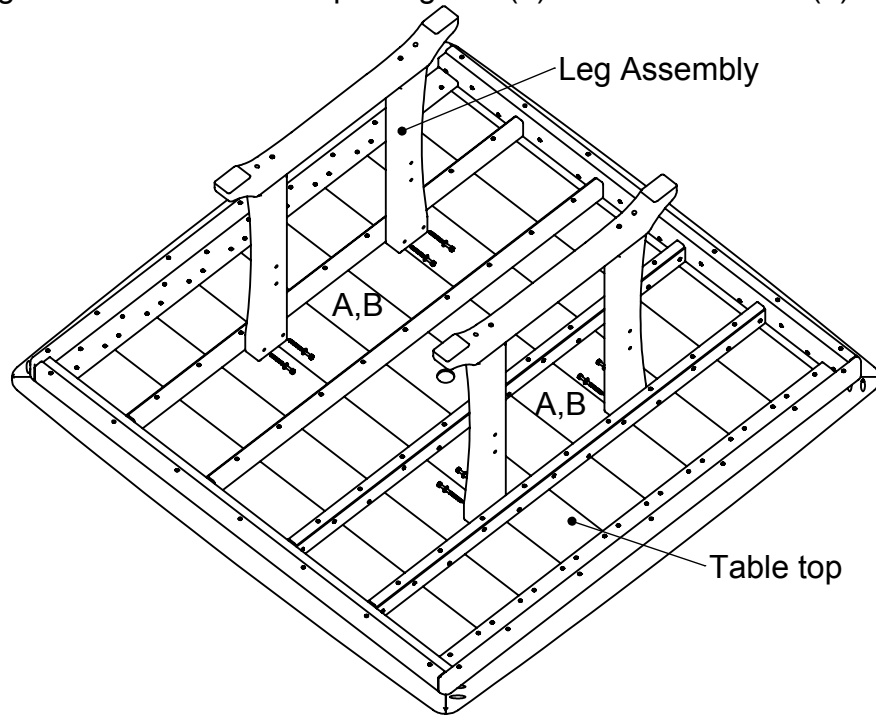
Model:
PL85-T2L1

- (1) Table top
- (2) Leg Assemblies
- (2) Brace
- (1) Hardware pack

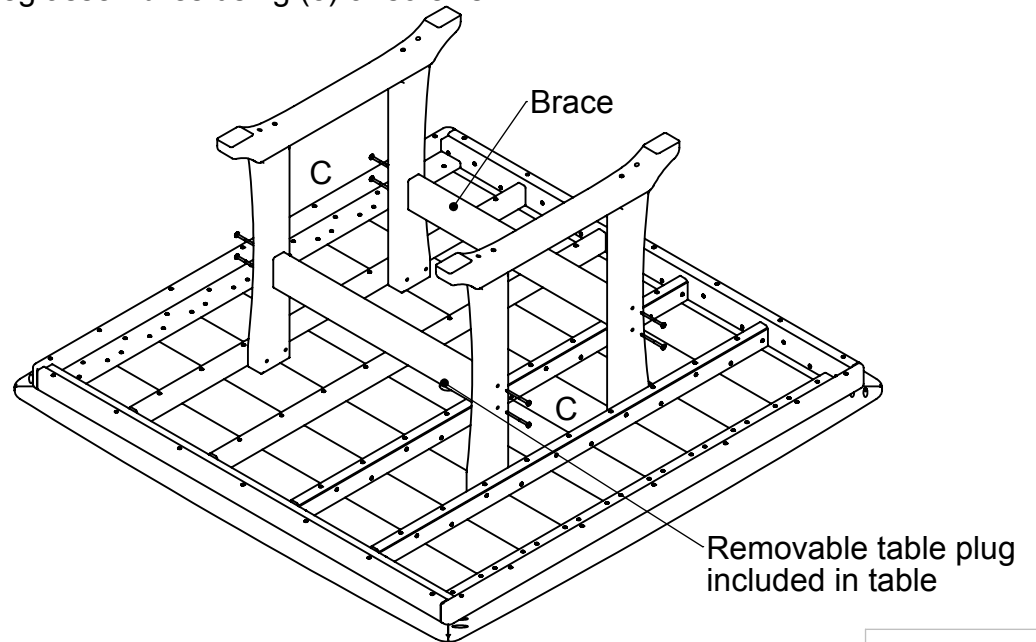
TOOLS NEEDED

-  - 4mm HEX KEY, ALLEN, T-HANDLE (INCLUDED)
- 7/16" Wrench (not included)

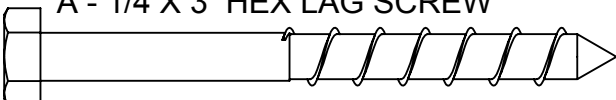
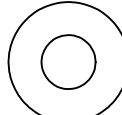
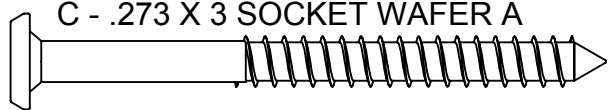
Step 1
Attach leg assemblies to table top using and (8) 3" chair bolts and (8) 1/4" washers.



Step 2
Attach braces to leg assemblies using (8) 3" screws.



Qty. Description

- 8  A - 1/4 X 3 HEX LAG SCREW
- 8  B - 1/4 FLAT WASHER
- 8  C - .273 X 3 SOCKET WAFER A

POLYWOOD®

All Weather Furnishings

Join the POLYWOOD® Community

Share in the love of outdoor living, recycling, and more...



POLYWOOD



@POLYWOODINC



youtube.com/polywood



POLY-WORLD
Blog



POLYWOOD



To view our full warranty, please visit the warranty page on our website at polywoodinc.com/resources.

If you have questions or concerns regarding assembly instructions or missing parts, please contact us at (877) 457-3284 or email support@polywoodinc.com