



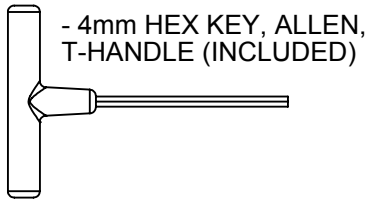
All Weather Furnishings

Model:

RT448

- (1) Table top
- (2) Leg Assemblies
- (2) Brace
- (1) Hardware pack

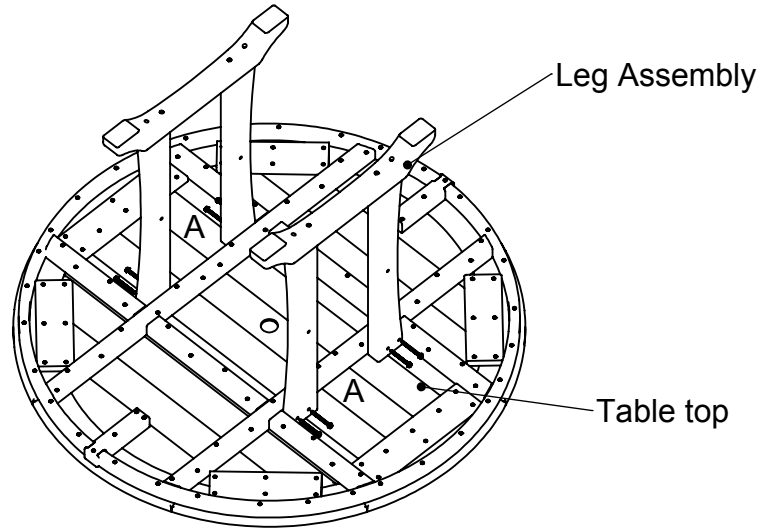
TOOLS NEEDED



- 3/8" Wrench (not included)

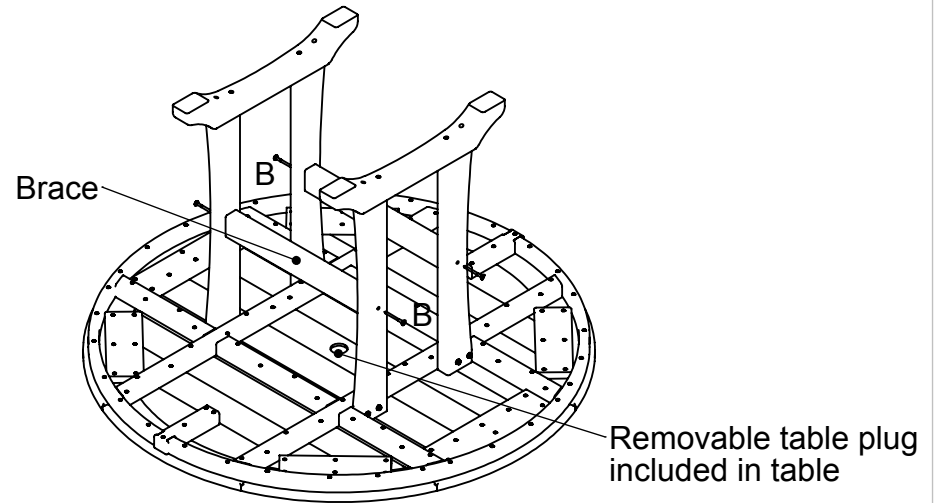
Step 1

Attach leg assemblies to table top using (8) 2-1/2" chair bolts.

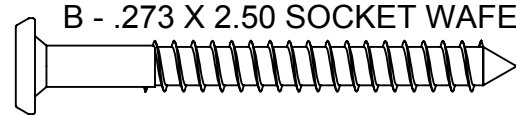
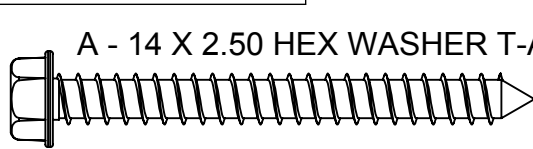


Step 2

Attach braces to leg assemblies using (4) 2-1/2" screws.



Qty.	Description
8	A - 14 X 2.50 HEX WASHER T-A ALCHM
4	B - .273 X 2.50 SOCKET WAFER A



POLYWOOD®

All Weather Furnishings

Join the POLYWOOD® Community

Share in the love of outdoor living, recycling, and more...



POLYWOOD



@POLYWOODINC



youtube.com/polywood



POLY-WORLD
Blog



POLYWOOD



To view our full warranty, please visit the warranty page on our website at polywoodinc.com/resources.

If you have questions or concerns regarding assembly instructions or missing parts, please contact us at (877) 457-3284 or email support@polywoodinc.com



20-year warranty

Great news! Your POLYWOOD warranty is already activated, no need to send anything in. Located on the bottom of each item is a sticker with a serial number. Please keep this number for your records.

View our full warranty:
polywoodoutdoor.com/warranty



Having trouble?

If you have questions or concerns regarding assembly instructions or missing parts, please contact us at hello@polywoodoutdoor.com or (833) 665-6300



Cleaning tips

For a Quick Clean:

Simply wipe down with soap and water.

For a Deep Clean:

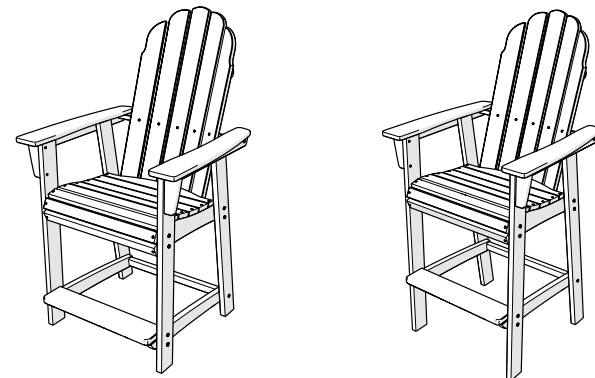
Wipe on 1/3 bleach and 2/3 water solution with a clean cloth and let it sit on the lumber for a few minutes (this will not affect the color). Then, loosen any dirt and debris that may catch in surface grooves with a soft bristle brush; hose down to rinse.

For a High-Power Clean:

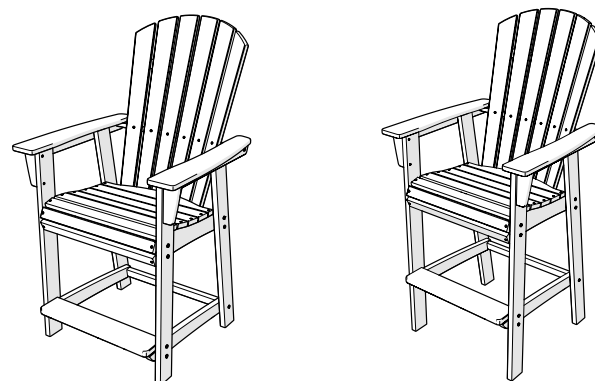
Use a pressure power washer (not exceeding 1,500 psi) to spray off dirt and debris. Apply a 1/3 bleach and 2/3 water solution and scrub with a soft bristle brush. Hose down to rinse.

POLYWOOD

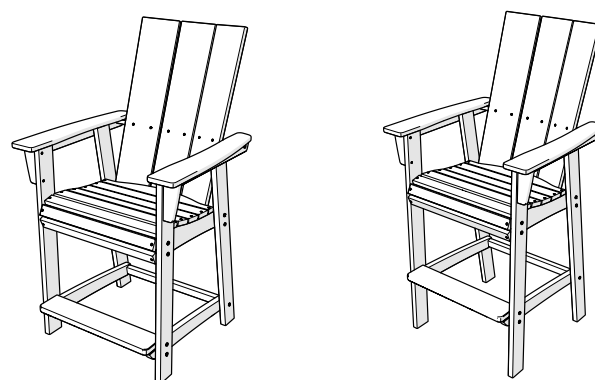
Assembly Instructions



ADD601 / ADD602
Vineyard Curveback Adirondack Counter / Bar Chair



ADD611 / ADD612
Nautical Curveback Adirondack Counter / Bar Chair



ADD621 / ADD622
Modern Curveback Adirondack Counter / Bar Chair

polywoodoutdoor.com

Thank You

Thank you for choosing POLYWOOD! We hope our furniture helps create a gathering place for you and your loved ones to enjoy for many years to come!



Join the POLYWOOD Owner's Community

Sign up at:

polywoodoutdoor.com/welcome

As a POLYWOOD Owner, you'll be among the first to access exclusive information about new product launches, special promotions, and giveaways.



Reach Out

Questions? Please contact us:
hello@polywoodoutdoor.com
(833) 665-6300



Watch & Learn

For assembly tips and videos visit:
polywoodoutdoor.com/assembly

Share your space

We love to see where our furniture ends up — snap a pic and tag it on Instagram or Facebook for your chance to be featured on our social channels!

#polywood #rethinkoutdoor



facebook.com/polywoodoutdoor



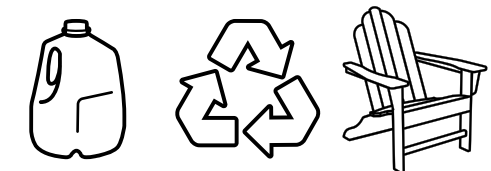
[@POLYWOOD](https://instagram.com/POLYWOOD)



pinterest.com/polywood



youtube.com/polywood

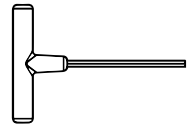


Did you know?

On average, POLYWOOD recycles 400,000 milk jugs a day!

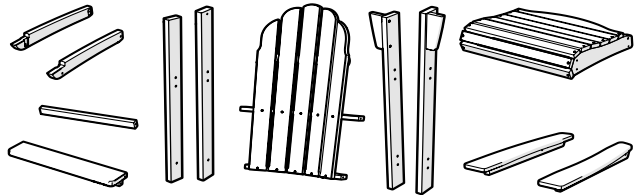
Learn more about our story:
genuinePOLYWOOD.com

TOOLS



4mm T-handle hex key (included)

PARTS

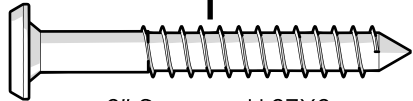


A x 12



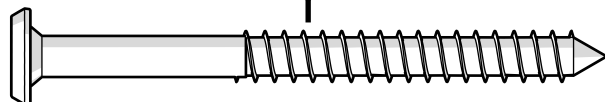
1.75" Screw — H.27X1.75

B x 2



2" Screw — H.27X2

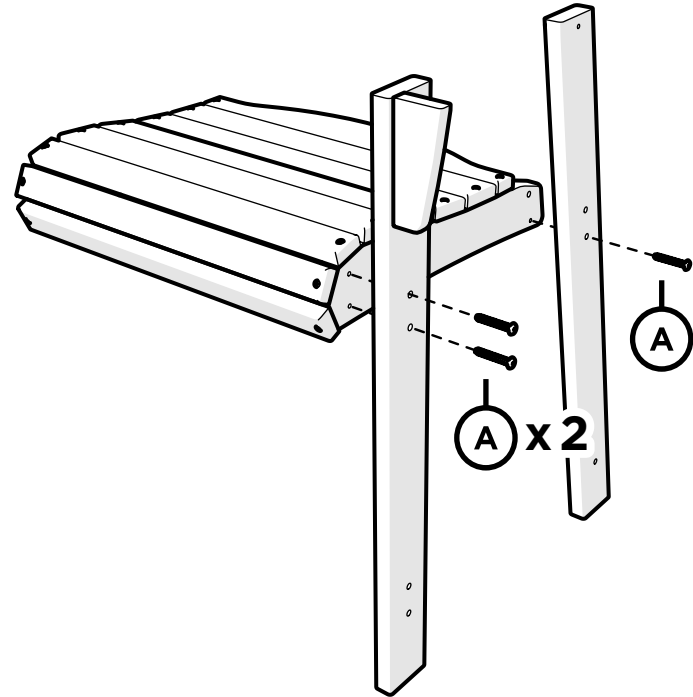
C x 6



3" Screw — H.27X3

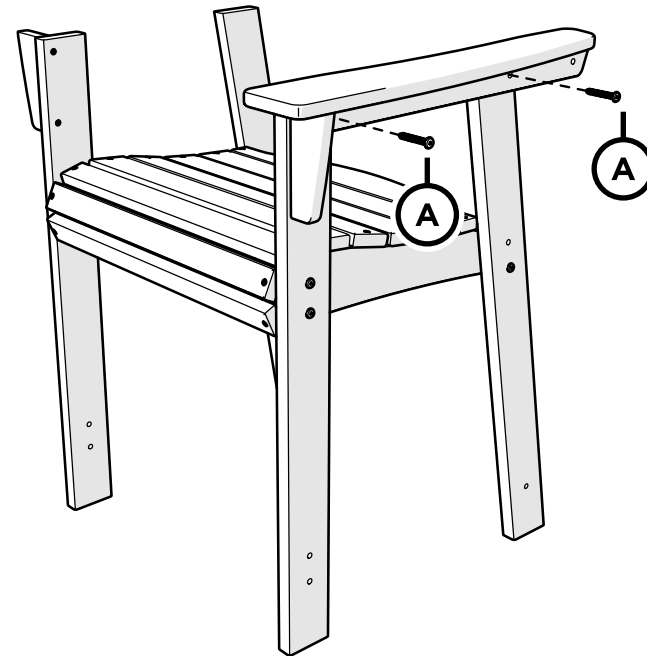
Something missing?
Call (833) 665-6300

1



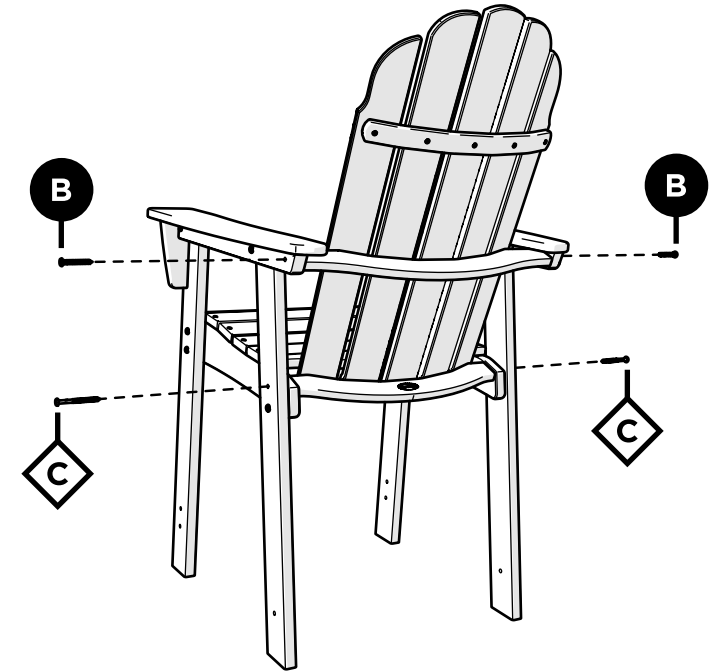
Repeat other side

2

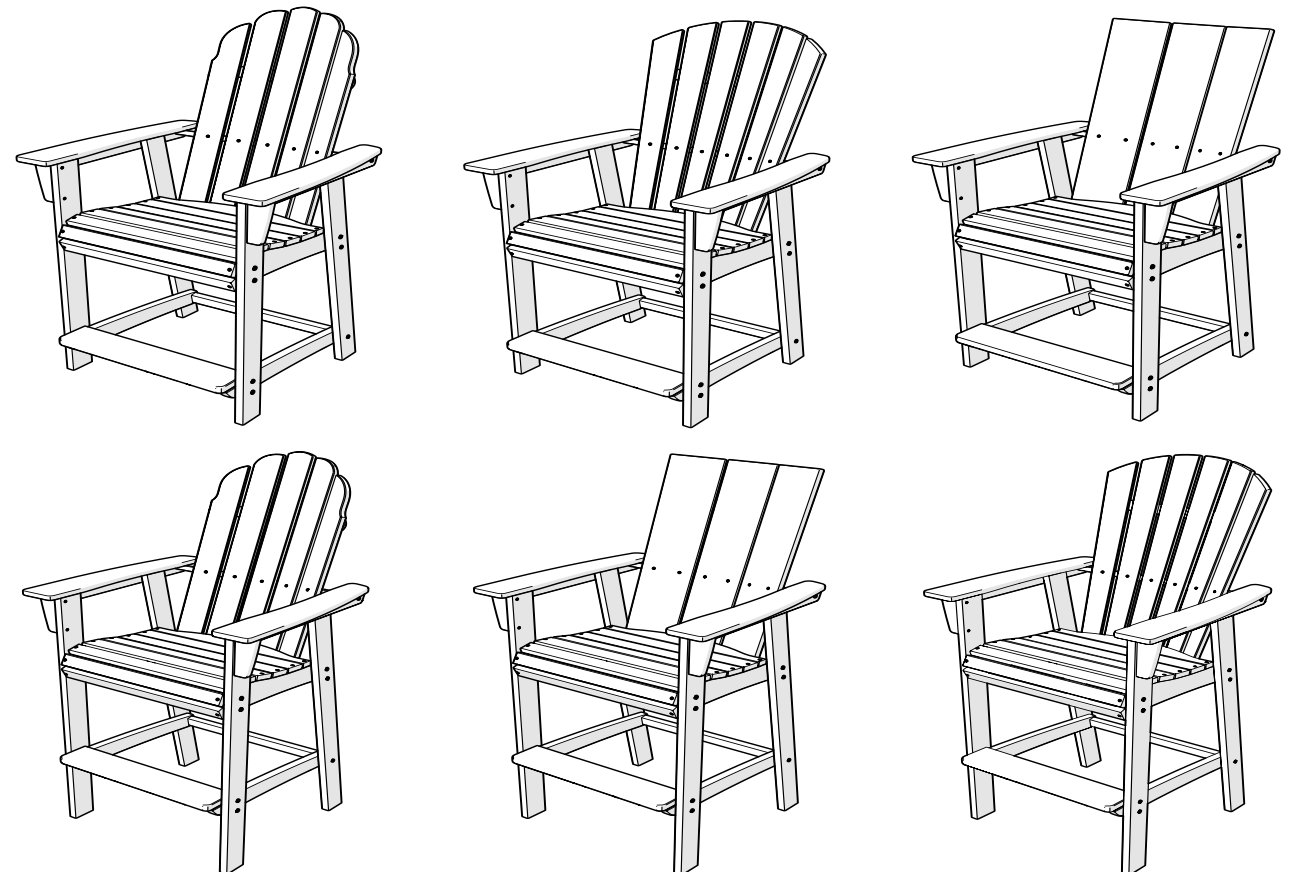
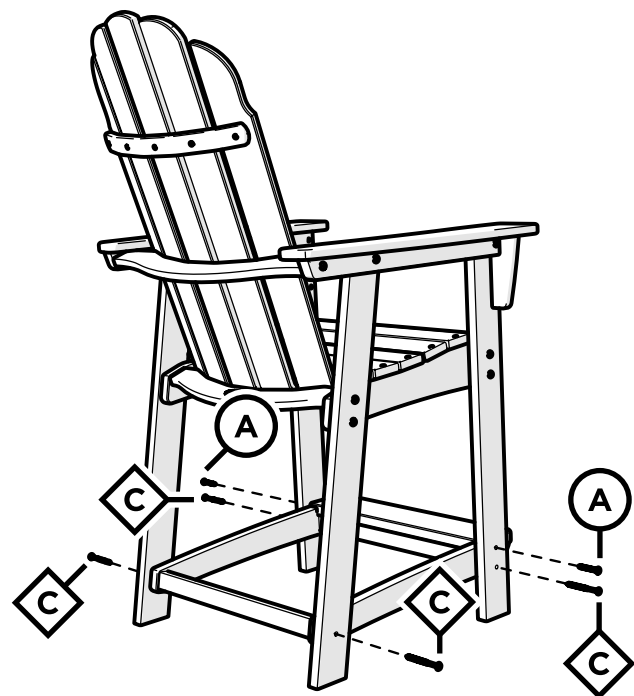


Repeat other side

3



4



POLYWOOD