



20-Year Warranty

Great news! Your POLYWOOD warranty is already activated, no need to send anything in. Located on the bottom of each item is a sticker with a serial number. **Please keep this number for your records.**

View our full warranty:
polywood.com/warranty



Cleaning Tips

For a Quick Clean:

Simply wipe down with soap and water.

For a Deep Clean:

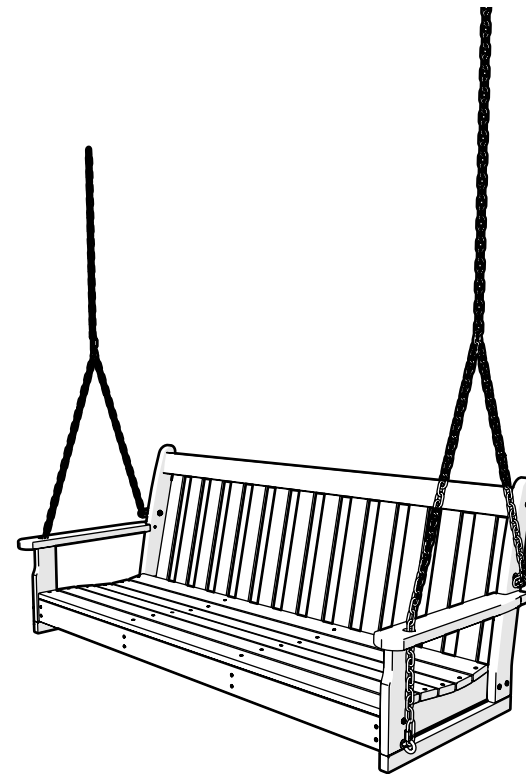
Wipe on 1/3 bleach and 2/3 water solution with a clean cloth and let it sit on the lumber for a few minutes (this will not affect the color). Then, loosen any dirt and debris that may catch in surface grooves with a soft bristle brush; hose down to rinse.

For a High-Power Clean:

Use a pressure power washer (not exceeding 1,500 psi) to spray off dirt and debris. Apply a 1/3 bleach and 2/3 water solution and scrub with a soft bristle brush. Hose down to rinse.

POLYWOOD®

Assembly Instructions



GNS60 Vineyard 60" Porch Swing

polywood.com

Thank You

Thank you for choosing POLYWOOD!
We hope your new furniture helps create a gathering place for you and your loved ones to enjoy for many years to come!



Join the POLYWOOD Community

Sign up at:
polywood.com/welcome

You'll be the first to hear about new product launches, giveaways, special offers, and more!



We're Always Here For You

If you have questions regarding assembly instructions, warranty claims, or missing parts, please visit our Help Center at
help.polywood.com



Watch & Learn

For assembly tips and videos visit:
polywood.com/assembly

Share Your Space

We love to see your furniture at home — share a photo or video and tag us for your chance to be featured!

#polywood



@POLYWOOD



pinterest.com/polywood



youtube.com/polywood



facebook.com/polywoodoutdoor

Join thousands of fans in our
Outdoor Living Community!

facebook.com/groups/polywoodoutdoorliving

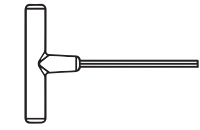


Did You Know?

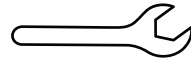
Our long-lasting furniture is made using plastics that could otherwise pollute oceans and overwhelm landfills — and it can also be recycled when the time comes. Better for the planet, better for all.

Learn more about our story:
genuinePOLYWOOD.com

TOOLS



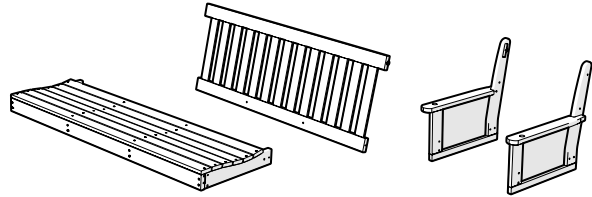
4mm T-handle hex key (included)



1/2" wrench (not included)

PARTS

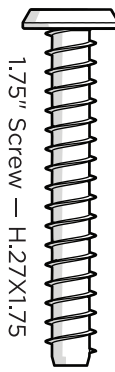
*Not to scale



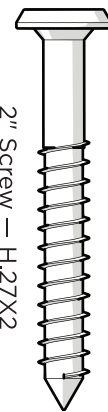
A x2 **B** x4 **C** x2 **D** x2



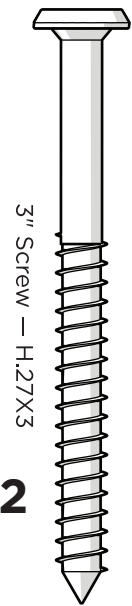
1.875" Fine Thread Bolt
H.25-20X1.875



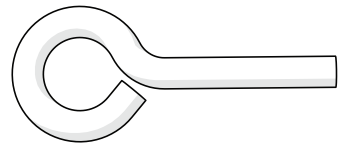
1.75" Screw — H.27X1.75



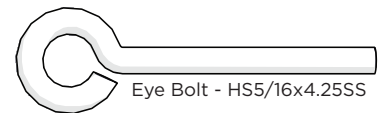
2" Screw — H.27X2



3" Screw — H.27X3



Eye Bolt — HEB5/16-18X1.5SS *



Eye Bolt - HS5/16x4.25SS *



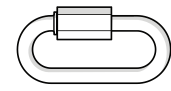
Nut
HN5/16-18NLSS *

x4



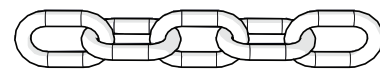
Washer
HW.31FLC *

x8



Quick Link — HQL.25ZN *

x6

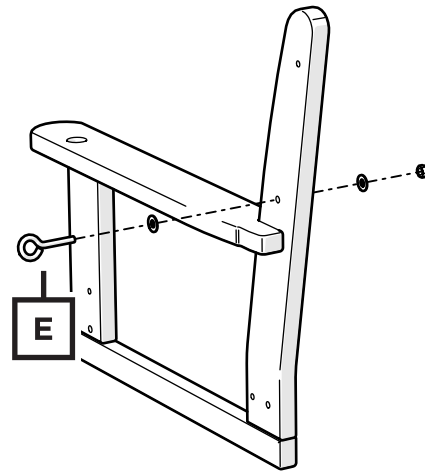


Chain — HSC3/16EG-PROOF *

x4

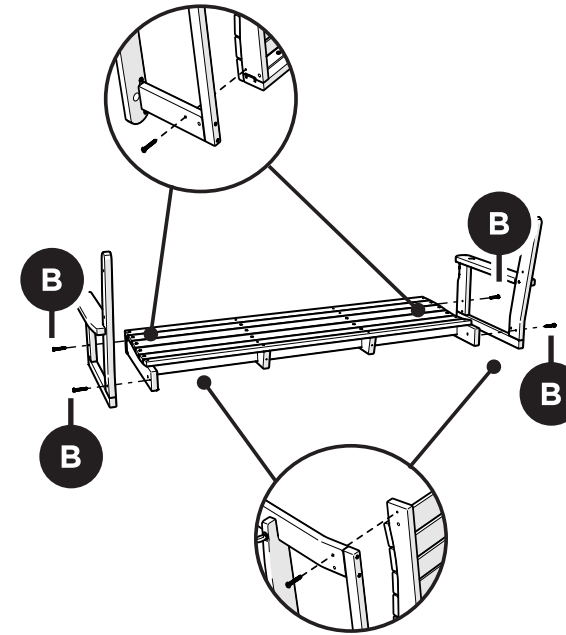
Something missing?
Visit help.polywood.com

1 Washer HW.31FLC x2 Nut HN5/16-18NLSS x1

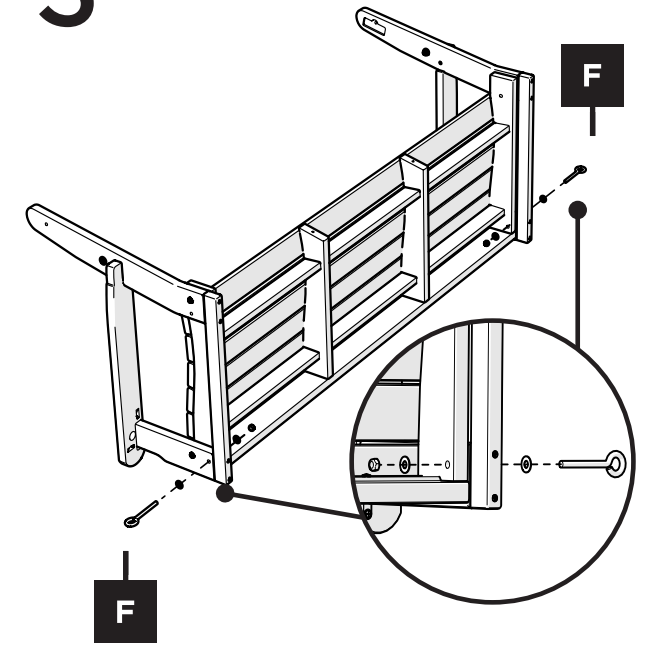


Duplicate other side

2



3



Washer HW.31FLC x4

Nut HN5/16-18NLSS x2

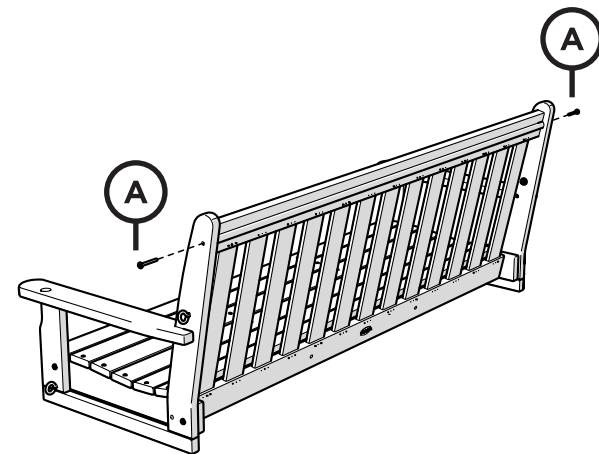
4

Ensure Fine Thread Bolts are used



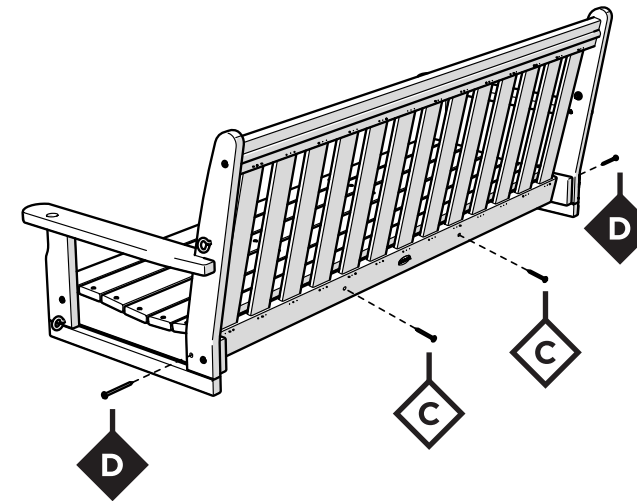
1.875" Fine Thread Bolt
H.25-20X1.875

A



Do not tighten until after step 5

5

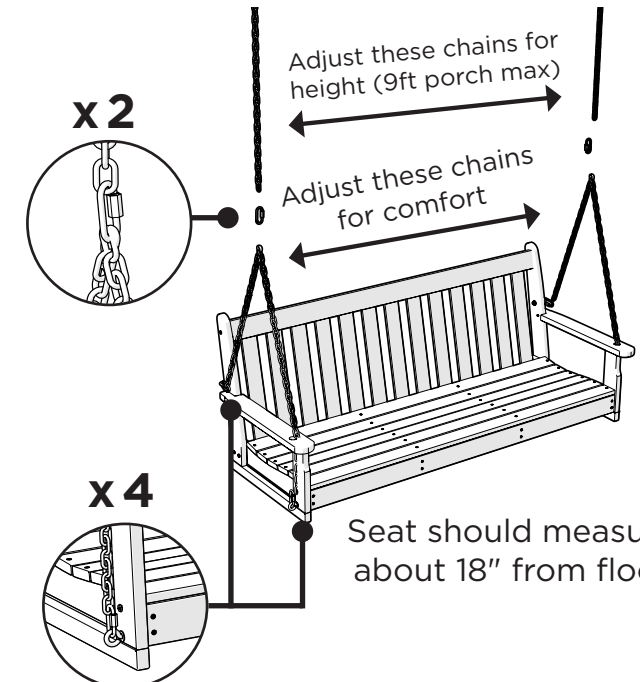


Remove protective plastic film from the logo medallion.

6

Hanging mounts should be about 65" apart.

(Hanging Hardware not included)



Adjust these chains for height (9ft porch max)

Adjust these chains for comfort

Seat should measure about 18" from floor