



## 20-year warranty

Great news! Your POLYWOOD warranty is already activated, no need to send anything in. Located on the bottom of each item is a sticker with a serial number. Please keep this number for your records.

View our full warranty:  
[polywood.com/warranty](http://polywood.com/warranty)



## Having trouble?

If you have questions or concerns regarding assembly instructions or missing parts, please contact us at [hello@polywood.com](mailto:hello@polywood.com) or (833) 665-6300



## Cleaning tips

### For a Quick Clean:

Simply wipe down with soap and water.

### For a Deep Clean:

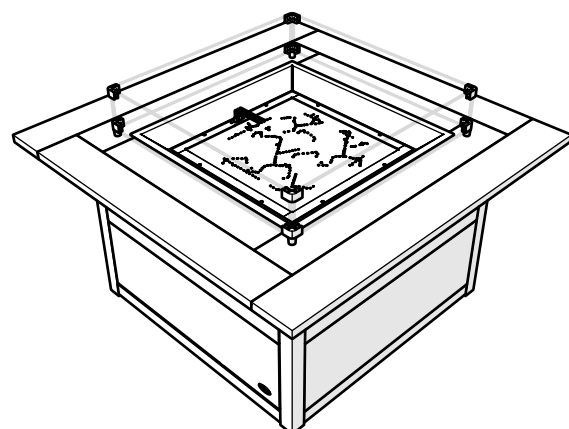
Wipe on 1/3 bleach and 2/3 water solution with a clean cloth and let it sit on the lumber for a few minutes (this will not affect the color). Then, loosen any dirt and debris that may catch in surface grooves with a soft bristle brush; hose down to rinse.

### For a High-Power Clean:

Use a pressure power washer (not exceeding 1,500 psi) to spray off dirt and debris. Apply a 1/3 bleach and 2/3 water solution and scrub with a soft bristle brush. Hose down to rinse.



## DESIGNER SERIES



## PWDCTFM44S Cube Fire Table

[polywood.com](http://polywood.com)

# Thank You

Thank you for choosing POLYWOOD!  
We hope our furniture helps create a gathering place for you and your loved ones to enjoy for many years to come!



## Join the POLYWOOD Owner's Community

Sign up at:  
[polywood.com/welcome](http://polywood.com/welcome)

As a POLYWOOD Owner, you'll be among the first to access exclusive information about new product launches, special promotions, and giveaways.



## Reach Out

Questions? Please contact us:  
[hello@polywood.com](mailto:hello@polywood.com)  
(833) 665-6300



## Watch & Learn

For assembly tips and videos visit:  
[polywood.com/assembly](http://polywood.com/assembly)

## Share your space

We love to see where our furniture ends up — snap a pic and tag it on Instagram or Facebook for your chance to be featured on our social channels!  
**#polywood #rethinkoutdoor**



[facebook.com/polywoodoutdoor](https://facebook.com/polywoodoutdoor)



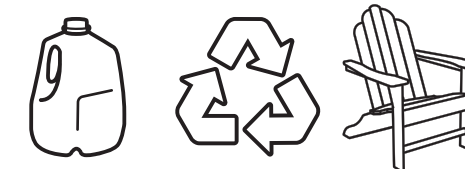
[@POLYWOOD](https://instagram.com/POLYWOOD)



[pinterest.com/polywood](https://pinterest.com/polywood)



[youtube.com/polywood](https://youtube.com/polywood)

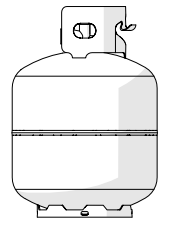


## Did you know?

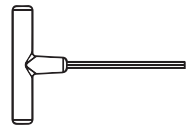
On average, POLYWOOD recycles 400,000 milk jugs a day!

Learn more about our story:  
[genuinePOLYWOOD.com](http://genuinePOLYWOOD.com)

## TOOLS

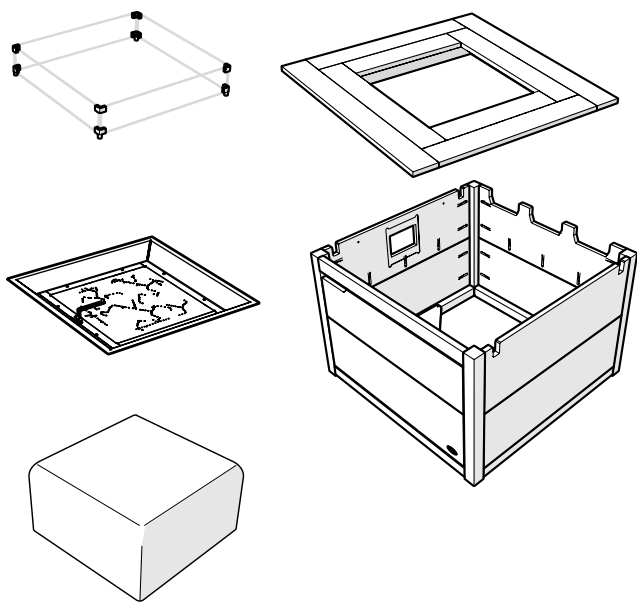


(Not Included)

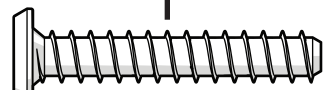


4mm T-handle  
hex key (included)

## PARTS



**A** x4

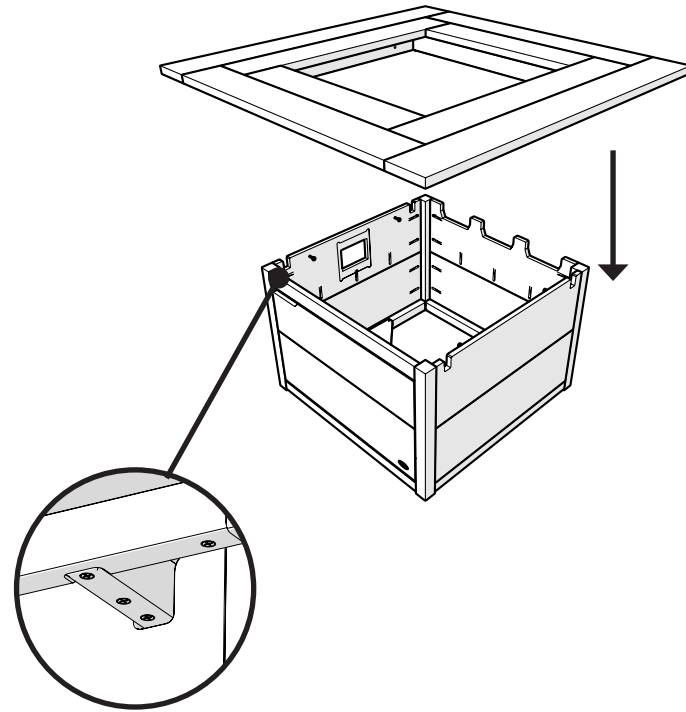


1.5" Screw — H.27X1.5

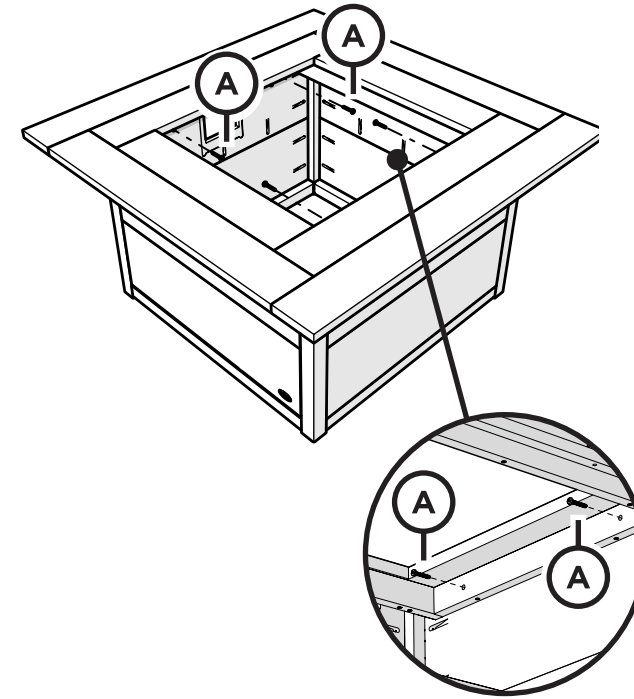
Something missing?  
Call (833) 665-6300

**1**

**Note:** Line up top  
screw holes with  
base screw holes

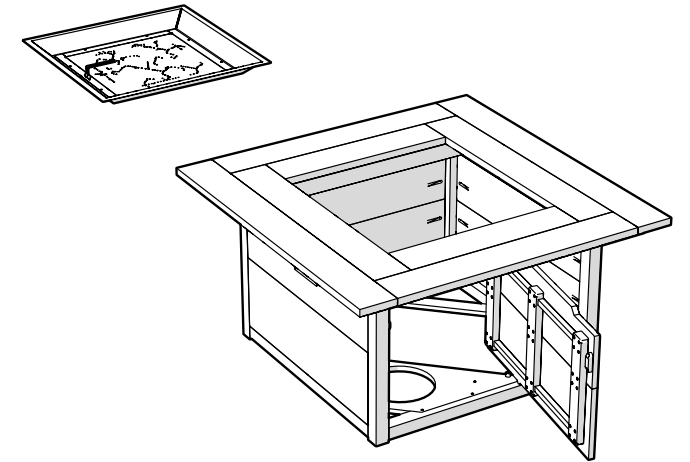


**2**



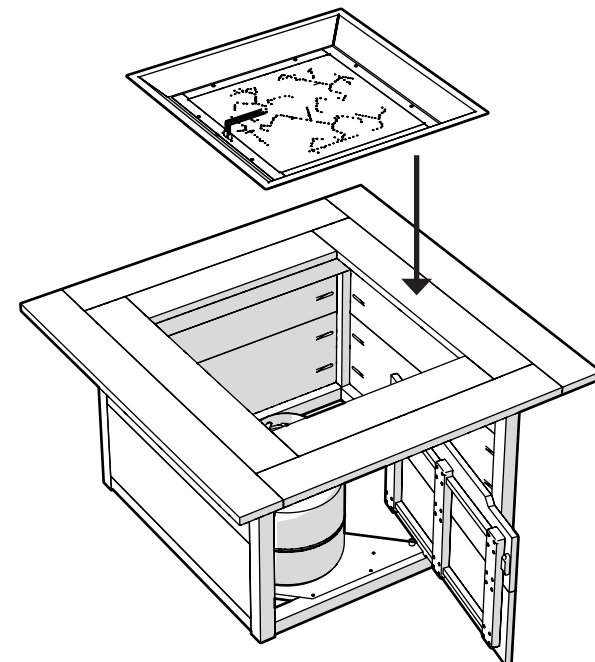
**3**

See Crystal Fire manual  
for hoses and burner etc.  
instructions



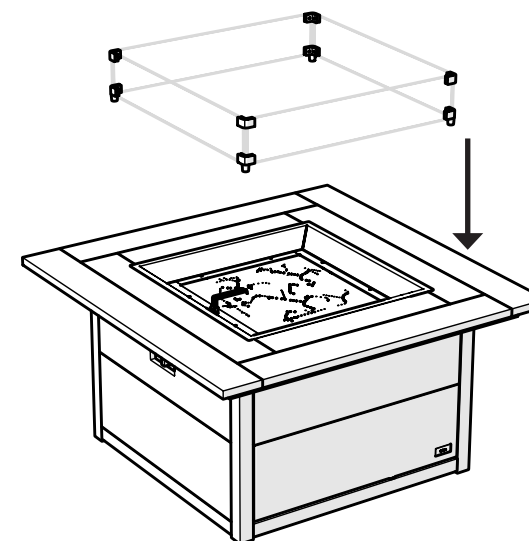
**4**

Set burner in center hole  
and place glass beads in  
burner



**5**

See Glass Guard-2424 manual  
for assembly instructions



Protect with included cover when not  
in use. Before covering, allow sufficient  
time for the unit to cool after use.



When turning off the gas, wait until  
bowl has cooled down and tilt propane  
tank forward.

**POLYWOOD**