

POLYWOOD

Assembly Instructions



1. Unfold chair
2. Remove shipping caps from rear brackets

NCH38 Nautical Highback Chair



..... **20-Year Warranty**

To view our full warranty, please visit polywoodoutdoor.com/warranty

Easily register your product using one of the methods below:

Text POLYWOOD to 71403
Receive a link to register online

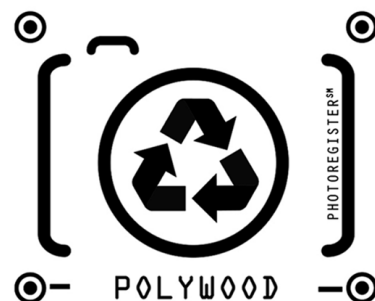
— or —

Register on our website
register.polywoodoutdoor.com

— or —

Send a Picture

Take a photo of the icon below and text it to 71403 (US only)





..... Having Trouble?

If you have questions or concerns regarding assembly instructions or missing parts, please contact us at **(833) 665-6300** or email support@polywoodoutdoor.com



..... Share your space

We love to see where our furniture ends up — snap a pic and share it on Instagram or Facebook!
#polywood



..... Watch & Learn

For assembly videos and more, visit [youtube.com/polywood](https://www.youtube.com/polywood)



..... Cleaning Tips

Even POLYWOOD gets dirty — here are some ways to help keep it clean:

For a quick clean:

Simply wipe down with soap and water.

For a deeper clean:

You'll need:

- » 1/3 bleach and 2/3 water solution
- » clean cloth
- » soft bristle brush

Wipe on solution with your cloth and let it sit on the lumber for a few minutes (this will not affect the color). Then, loosen any dirt and debris that may catch in surface grooves with a soft bristle brush; hose down to rinse.



All Weather Furnishings

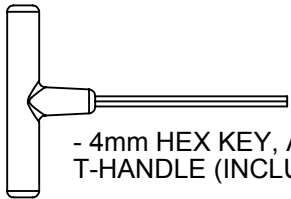
Model:

NCT44, NCCT44,
NCRT44, NCBT44

- (1) Table top
- (4) Leg
- (2) Foot
- (2) Brace
- (1) Hardware pack

TOOLS NEEDED

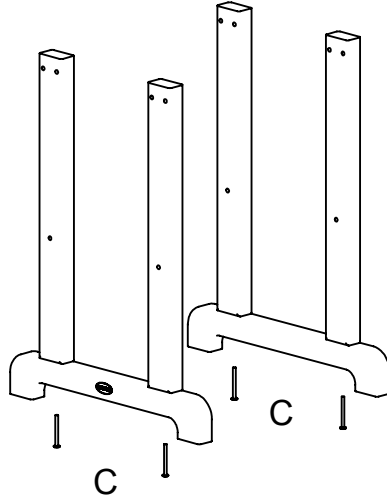
- 3/8 Wrench



- 4mm HEX KEY, ALLEN,
T-HANDLE (INCLUDED)

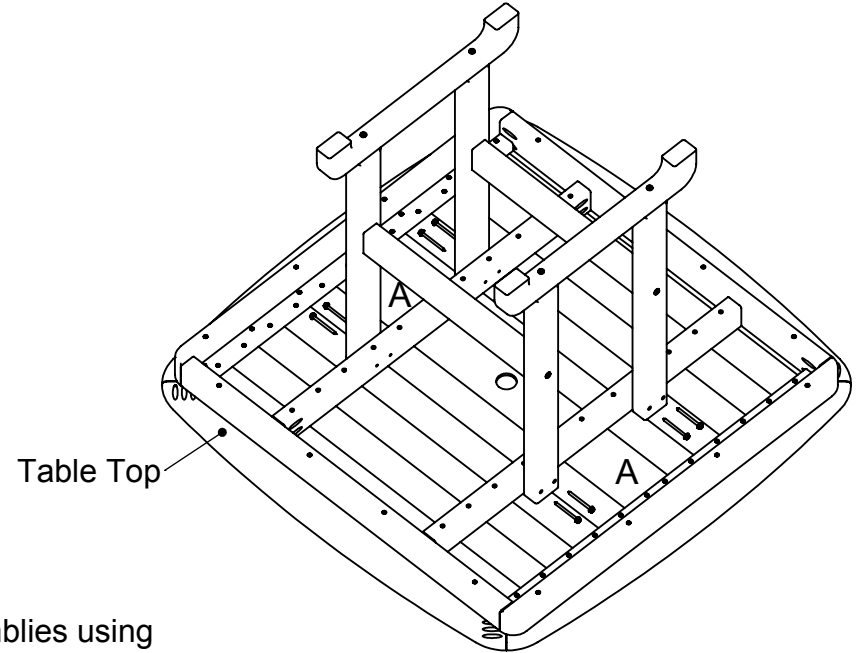
Step 1

Attach feet to legs using (4) 3 1/4" Chair bolts.



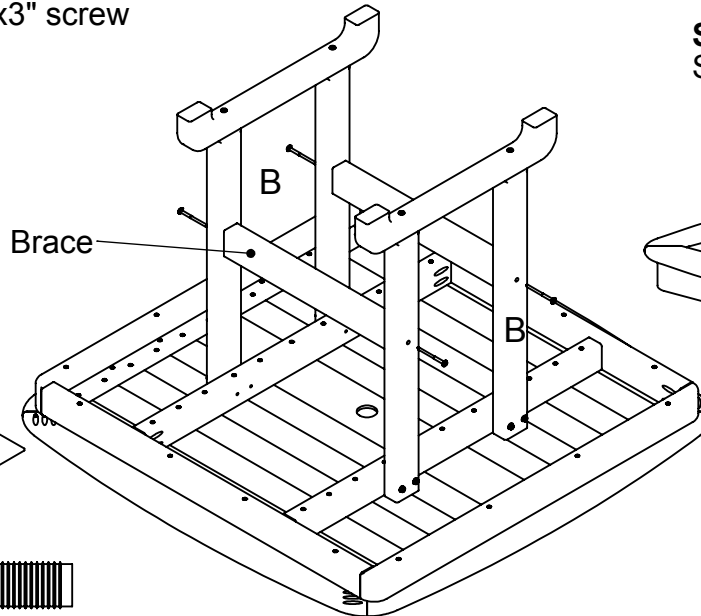
Step 2

Lay table top on flat surface.
Attach the leg assemblies to the table frame using
(8) 14x2 1/2" hex screw *Do not tighten until last step



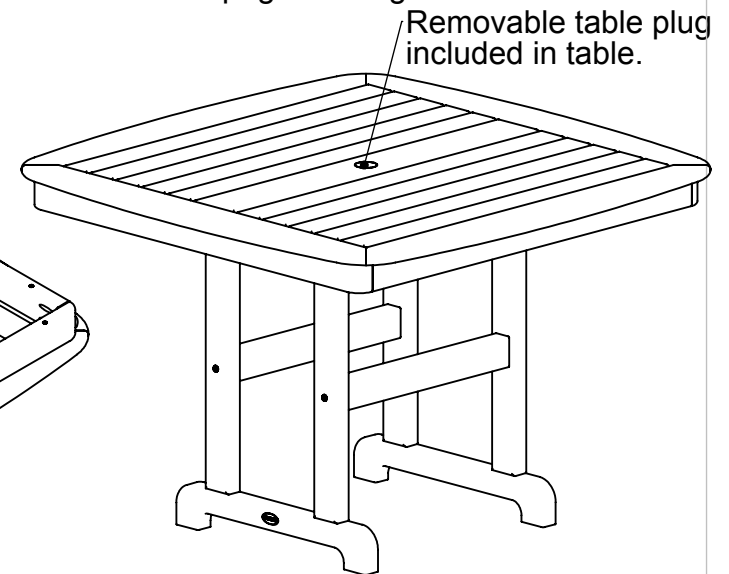
Step 3

Attach the leg braces to the leg assemblies using
(4) .27x3" screw



Step 4

Set table upright and tighten all bolts.



Qty. Description

8 A - 14 X 2.50 HEX WASHER T-A ALCHM

4 B - .273 X 3 SOCKET WAFER A

4 C - 1/4-20 X 3-1/4 WAFER SHCS



To view our full warranty, please visit the warranty page on our website at polywoodinc.com/resources