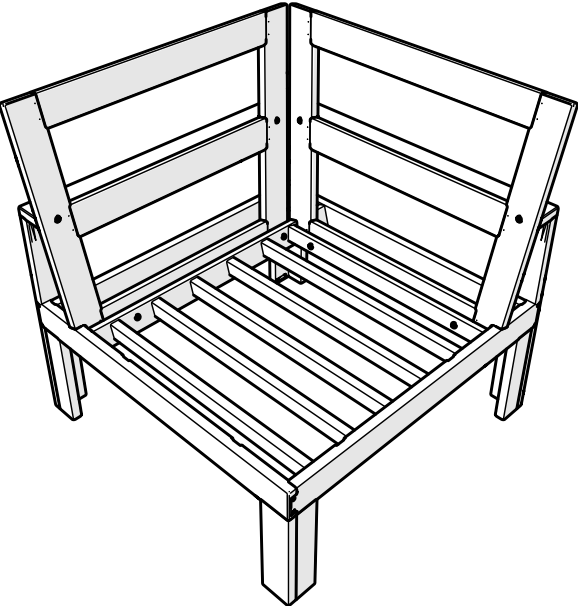


# Modular Corner Chair

Assembly Instructions



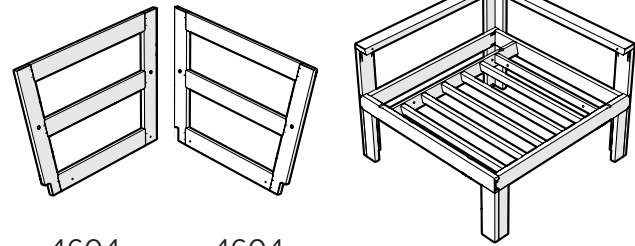
4604X

# TOOLS



#3 Phillips Head  
Screwdriver  
(Not Included)

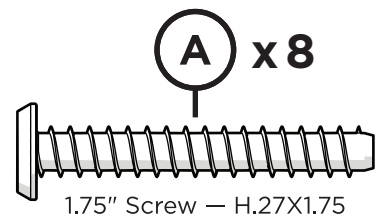
# PARTS



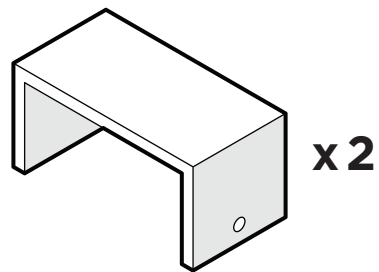
4604  
LEFT  
BACK

4604  
RIGHT  
BACK

4604  
BASE

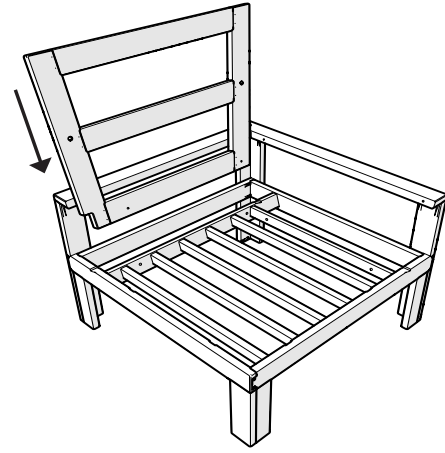


1.75" Screw — H.27X1.75

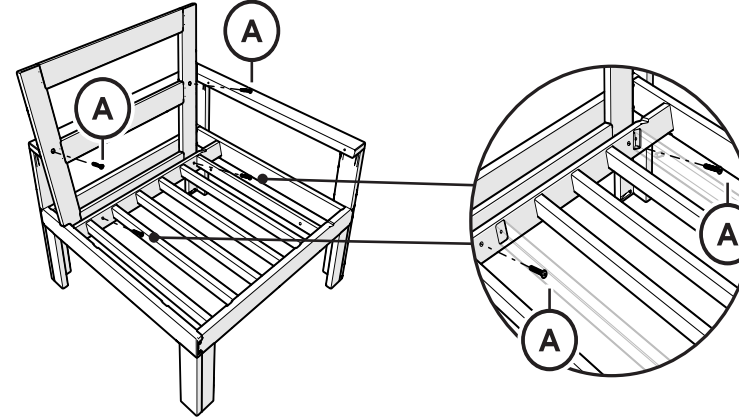


Bracket — P13275-XX

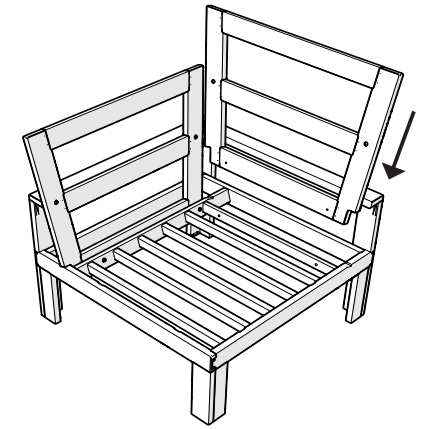
# 1



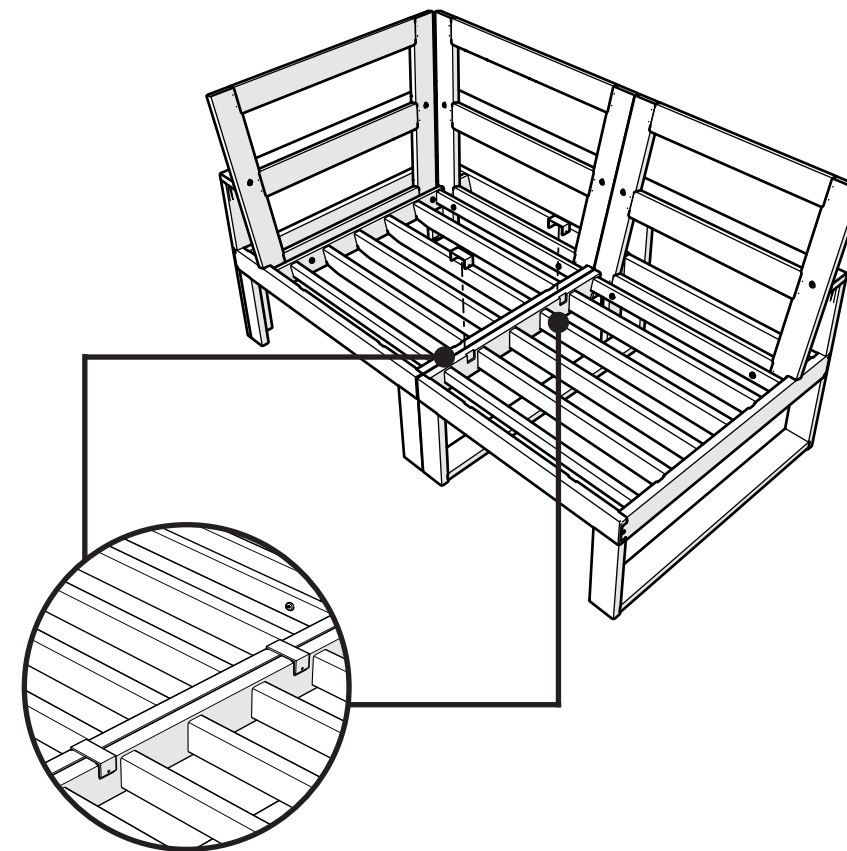
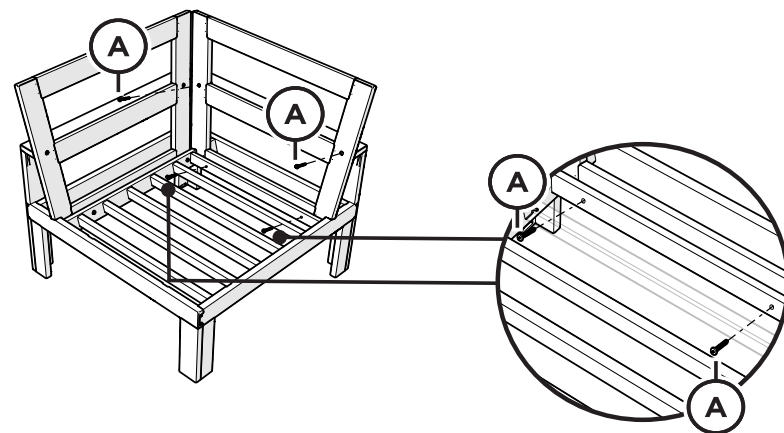
# 2



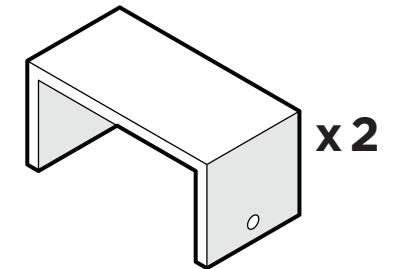
# 3



# 4



Brackets can be used to  
connect furniture together



Bracket — P13275-XX