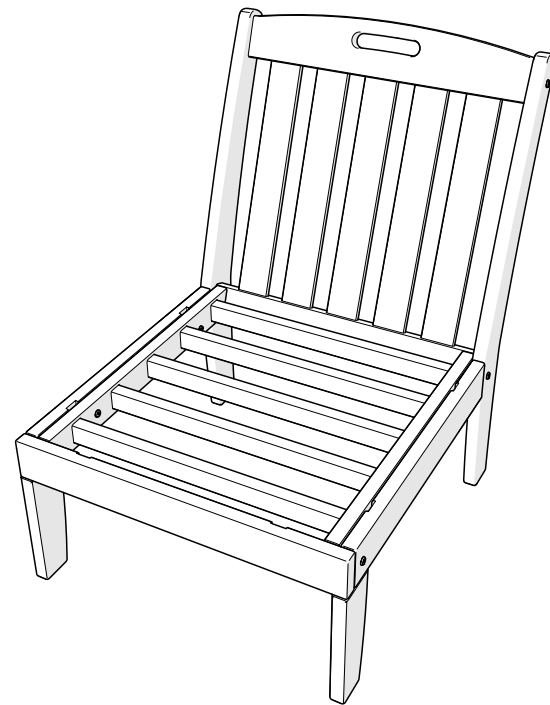




Assembly Instructions



TX4511CX

Yacht Club Modular Armless Chair

..... **20-Year Warranty**

To view our full warranty, please visit
trexfurniture.com/warranty

..... **Share your space**

We love to see where our furniture
ends up — snap a pic and share
it with us on Facebook!
facebook.com/trexfurniture

..... **Having Trouble?**

If you have questions or concerns regarding
assembly instructions or missing parts,
please contact us at **(877) 907-TREX (8739)**
or email support@trexfurniture.com

..... **Cleaning Tips**

Keep your Trex Outdoor Furniture™
looking brand new:

For a quick clean:

Simply wipe down with soap and water.

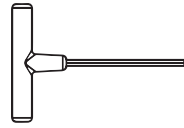
For a deeper clean:

You'll need:

- » 1/3 bleach and 2/3 water solution
- » clean cloth
- » soft bristle brush

Wipe on solution with your cloth
and let it sit on the lumber for a few
minutes (this will not affect the color).
Then, loosen any dirt and debris that
may catch in surface grooves with a
soft bristle brush; hose down to rinse.

TOOLS



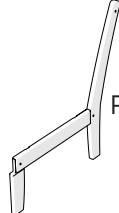
4mm T-handle hex key (included)

PARTS

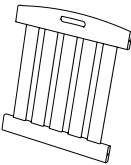
4501RAFX
LAF ARMLESS
SIDEFRAME



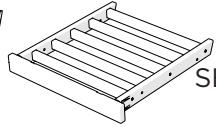
4501LAFX
RAF ARMLESS
SIDEFRAME



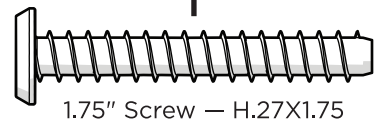
TX4511CX
BACK, CENTER



4501CX
SEAT, CENTER

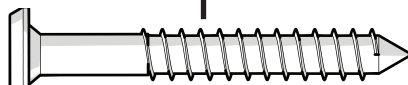


A x 6



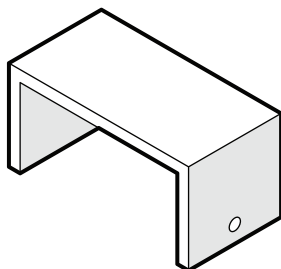
1.75" Screw — H.27X1.75

B x 4



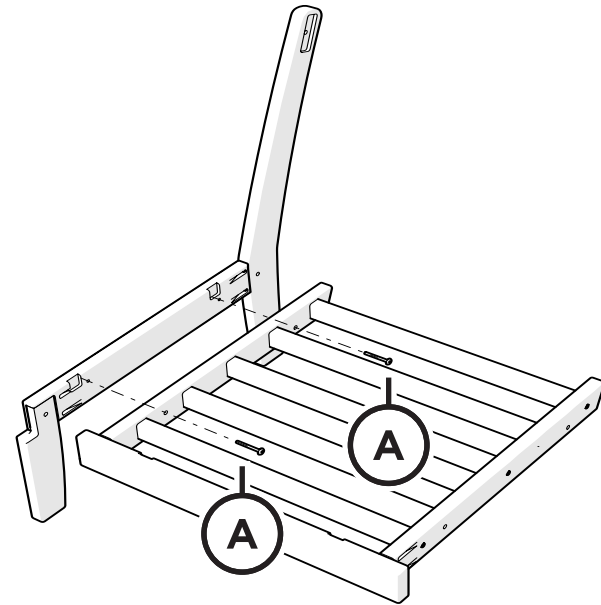
2" Screw — H.27X2

x 2

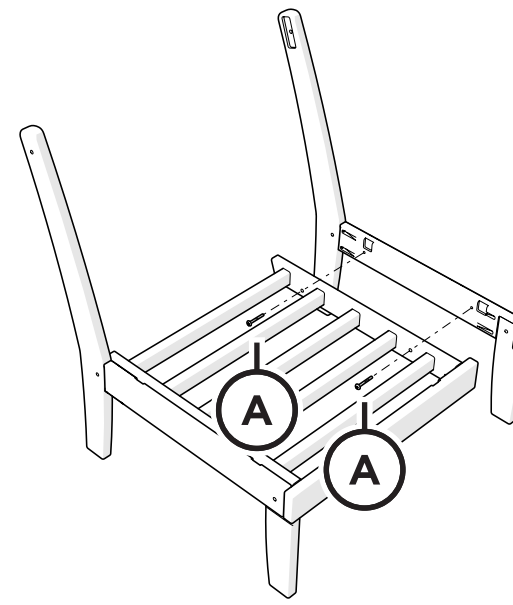


Bracket — P13275-XX

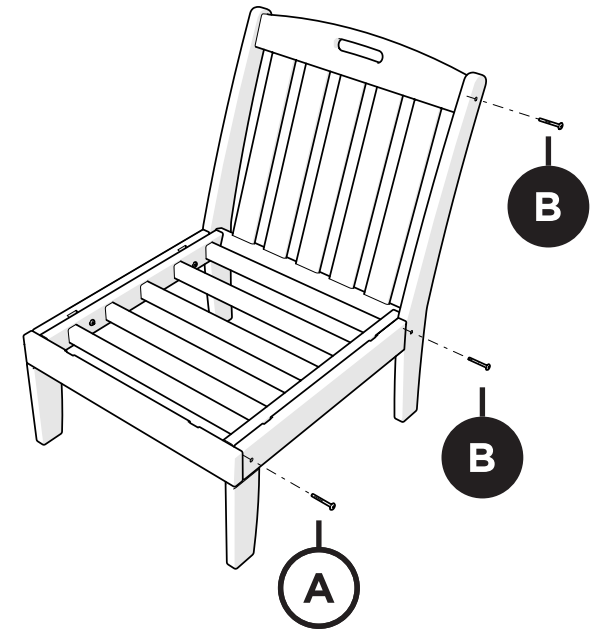
1



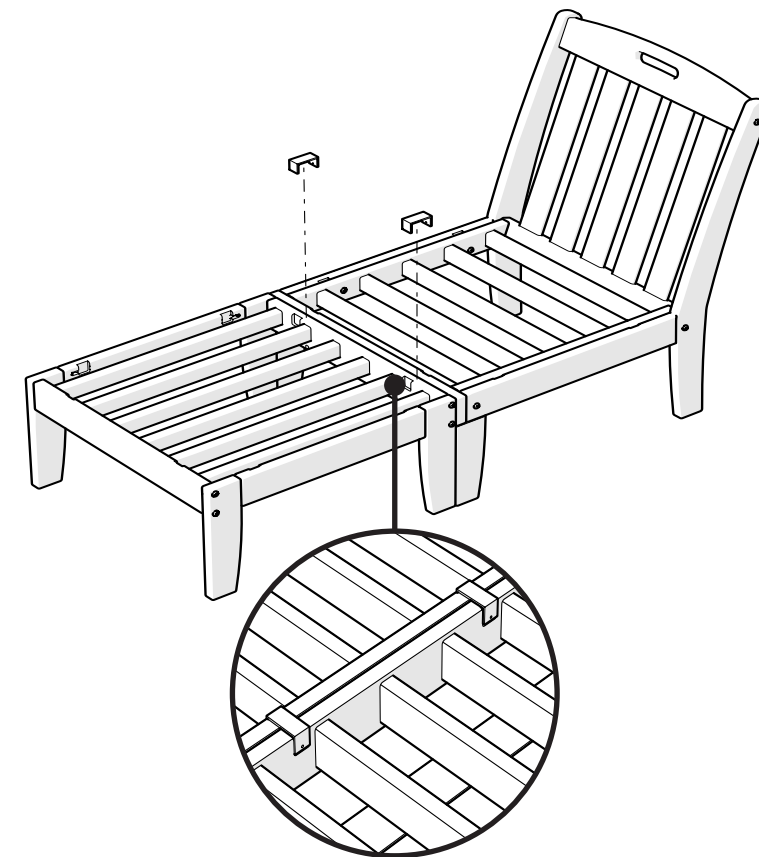
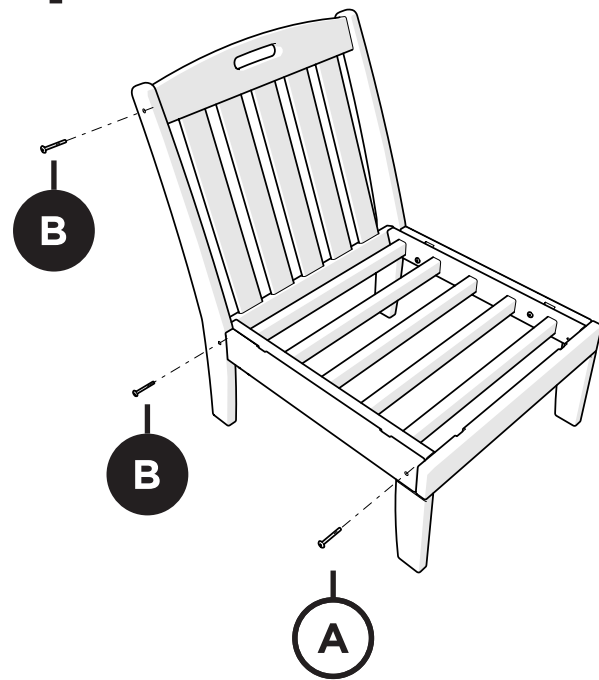
2



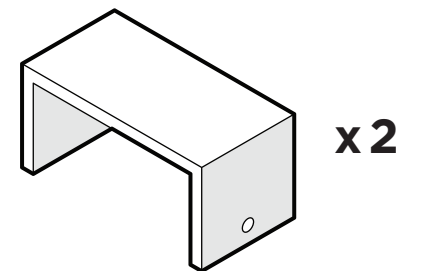
3



4



Brackets can be used to connect furniture together.



Bracket — P13275-XX